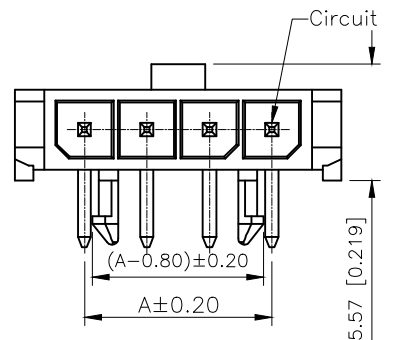
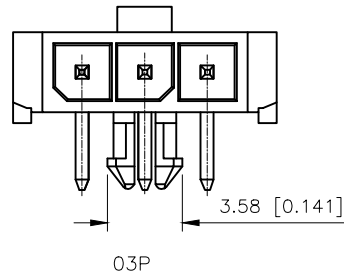
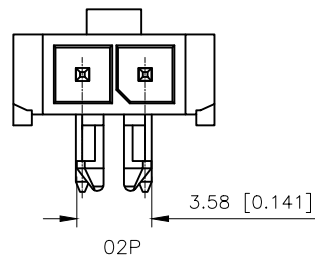
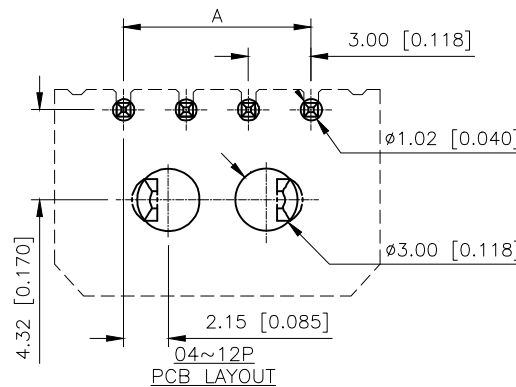
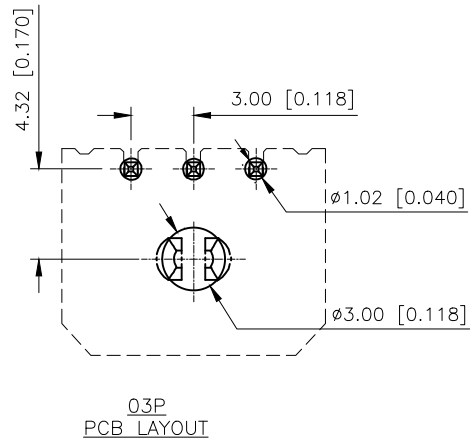
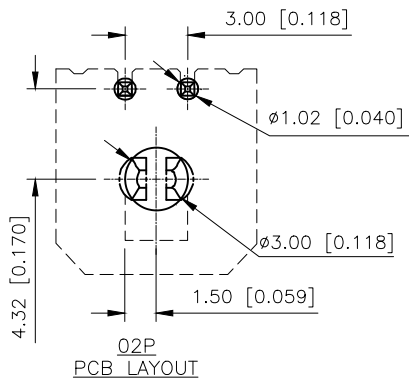


REVISIONS					
REV.	ECN NO.	LOCATION	DESCRIPTION	DATE	DESIGN
A0	N/A		INITIAL RELEASE	/	/
A1	N/A		描述修正, 图面升级整理图面	2024.07.17	阿树

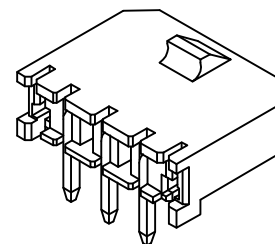
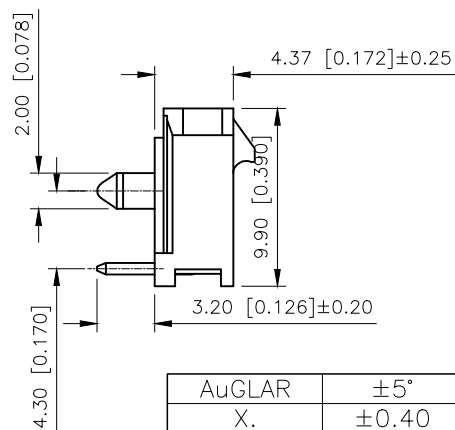
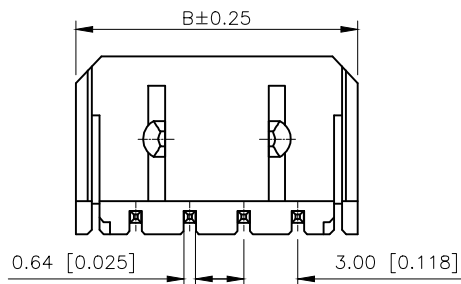


- SPECIFICATIONS
- Voltage rating:250V AC/DC
 - Current rating:5A AC/DC
 - Withstanding Voltage:1500V AC/minute
 - Temperature range:-45°C+125°C
 - Insulation resistance:≥1000MΩ
 - Contact resistance:≤10mΩ

PART NO.:

X3025 W R-XX-LP V01
① ② ③ ④ ⑤ ⑥

- ①Series No
- ②Category:W-Wafer
- ③Welding Board Angle:R-Straight 90°
- ④Row No.Pin No:XX-02~12Pin
- ⑤Material:LP-LCP UL94V-0
- ⑥Planting:SW-Matte Tin
V01:Gold 1u"



Poles	Dimensions (mm)		Poles	Dimensions (mm)	
	A	B		A	B
02	3.00	9.65	08	21.00	27.65
03	6.00	12.65	09	24.00	30.65
04	9.00	15.65	10	27.00	33.65
05	12.00	18.65	11	30.00	36.65
06	15.00	21.65	12	33.00	39.65
07	18.00	24.65			

X3025WR-XX-LPSW	LCP	Brass	Matte Tin	X3025HM-XX
X3025WR-XX-LPV01			Gold 1u"	
PART NO	Material	Material(Pin)	Finish	Suitable XKB Housing

AuGLAR	±5°
X.	±0.40
X.x	±0.30
X.xx	±0.20
X.xxx	±0.15
UNSPECIFIED TOLERAuCES	



DESIGN	阿树	VIEW:		MODEL TYPE:	3.00mm Crimp Style Connectors
CHECKED		UNIT:	mm/in	PART NO.:	X3025WR-XX-LPV01
APPROVED		SIZE:	A4	DWG NO.:	