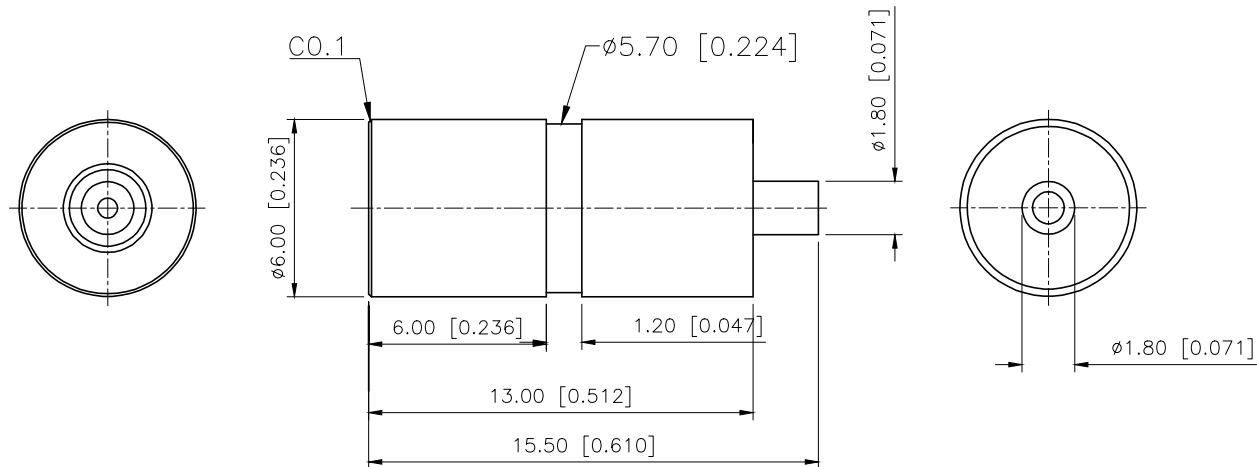
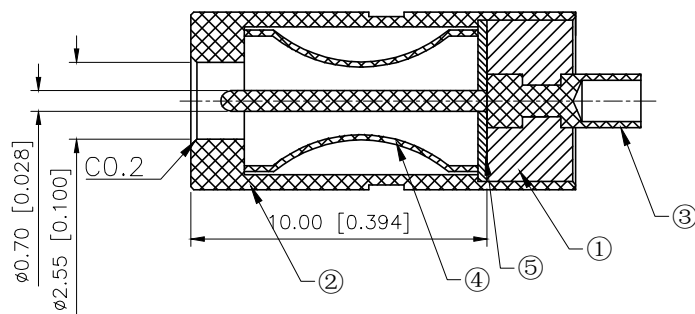


REVISIONS					
REV.	ECN NO.	LOCATION	DESCRIPTION	DATE	DESIGN
A0	N/A		INITIAL RELEASE	/	/
A1	N/A		图面升级整理图面	2025.07.01	阿树



Technolo Request:  
 1.Outlook:  
 NO burr,no hurt.  
 2.Electronic performance:  
 a:Insulation resistance:  
 Above DC500V/100MΩ;  
 b:Endure voltage:  
 AC500V at 1 minute;  
 c:Contact resistance:  
 Under 30MΩ;  
 3.Insertion fore & withdrawal force;0.3-3kgf.  
 4.Salt spray test :24H.



silicone pad		
Spring	Phosphor Bronze	Ni
Waterproof tube	C3604	Ni
terminal	Brass	Ni
Plastic	PBT	Black
PAPT NAMF	MATERIAL	PLATING

AuGLAR	±5°
X.	±0.40
X.x	±0.30
X.xx	±0.20
X.xxx	±0.15
UNSPECIFIED TOLERAUCES	



DESIGN	阿树	VIEW:	MODEL TYPE: DC POWER JACK
CHECKED		UNIT: mm/in	PART NO.: DC-F0760
APPROVED		SIZE: A4	DWG NO.: