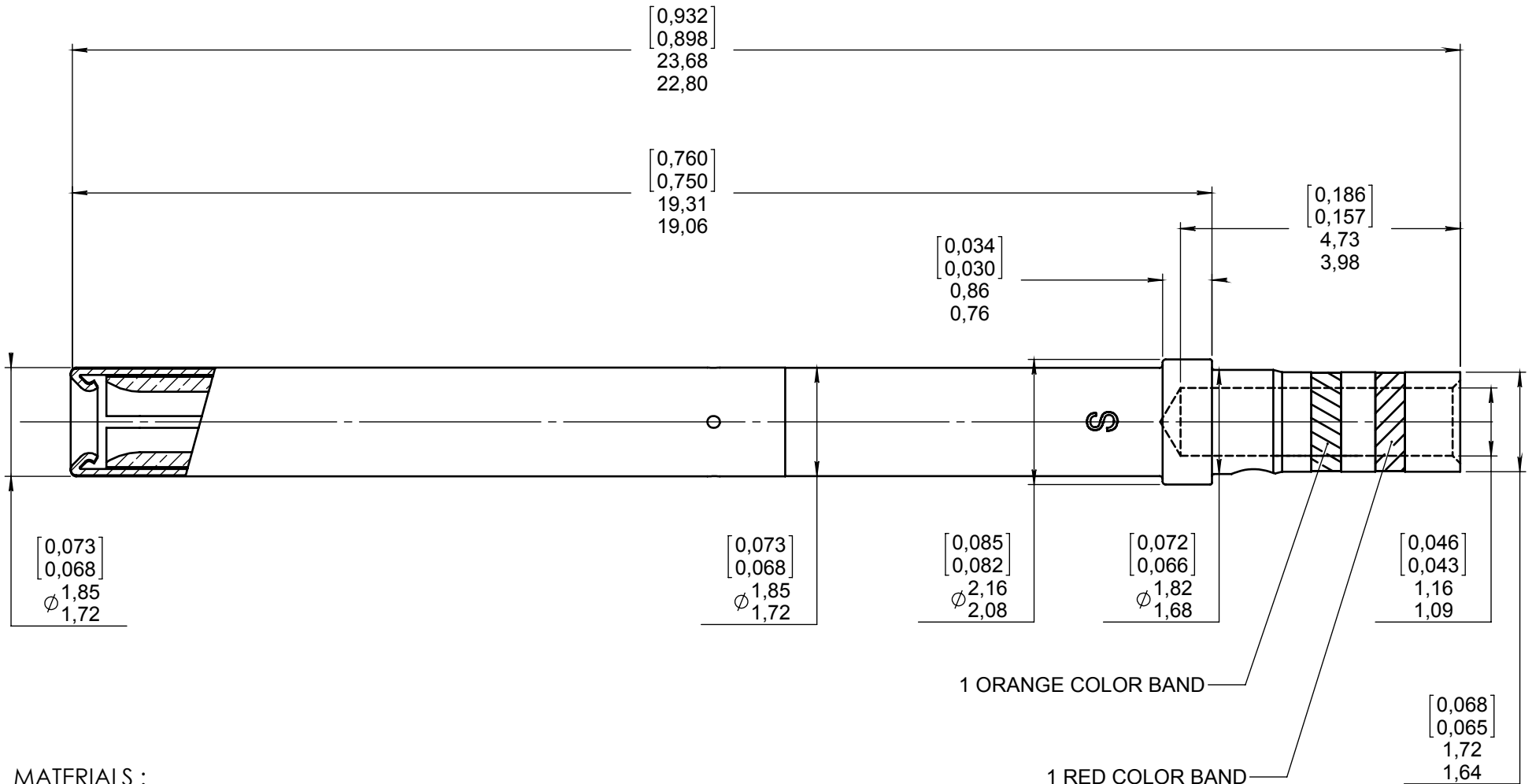


**Series
NSX**
SIZE 20 REAR RELEASE, REAR REMOVABLE CRIMP SOCKET CONTACT
**Issue:
April 27, 2016**
**Page
1/1**

MATERIALS :

CONTACT BODY : BERYLLIUM COPPER PER ASTM B 196

PROTECTION SLEEVE : STAINLESS STEEL PER SAE AMS-5514

FINISH :

CONTACT BODY : PLATING .00005 INCH OF GOLD PER SAE MIL-DTL-45204 OVER NICKEL PER SAE AMS 2403

CONTACT PROTECTIVE SLEEVE : PASSIVATED

WIRING INSTRUCTIONS :

WIRES ACCOMODATED : AWG 20 - 22 and 24

INSULATION DIAMETER : 1.8 max (.071)

STRIP LENGTH : 4 (.157)

CRIMP CONTACT TENSILE REQUIREMENTS USING MIL SPEC TOOLING AND WIRE SPEC

M22520/2-01 20 GA. 5.5 daN (11LBS)

CRIMPED CONTACTS WILL SHOW NO CRACK WHEN INSPECTED PER MIL-C-22520 AT 10X

RADIALL TOOLING RECOMMENDATION

CRIMPING TOOL : M22520/2-01 (RADIALL P/N : 282281)

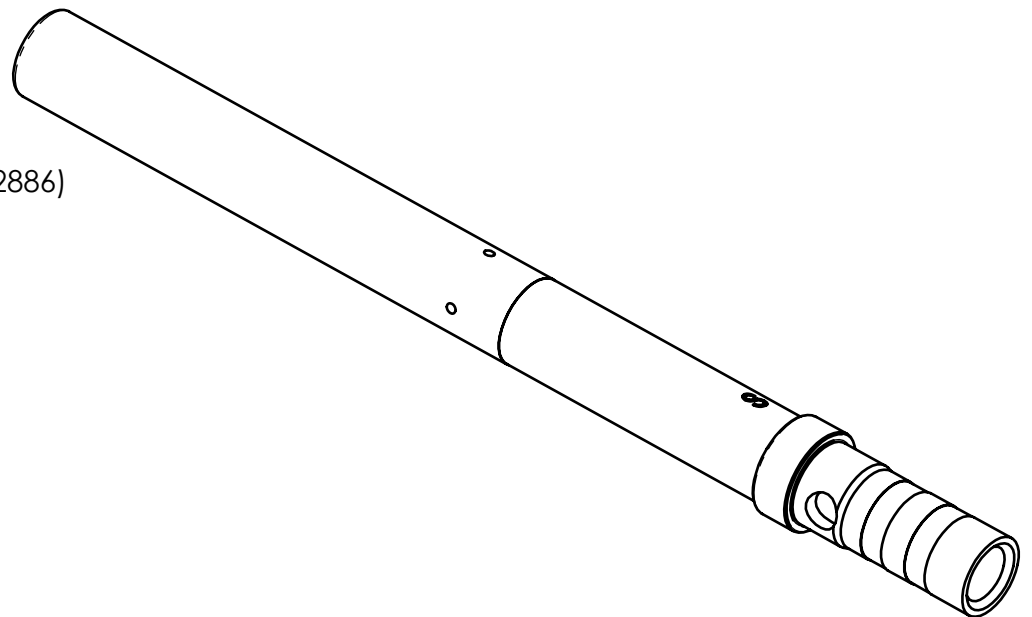
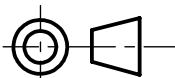
SELECTOR POSITION : 7 FOR AWG 20

6 FOR AWG 22

5 FOR AWG 24

POSITIONER : M22520/2-08 (RADIALL P/N : 282971)

INSERTION/EXTRACTION TOOL : M81969/1-02 (RADIALL P/N : 282886)


DIMENSIONS : mm (inch are given for information only)


Estimated weight : 0.36 g

CREATION
PEN:
NOM: FALETTI

DATE: April 25, 83

APPR.: /

Issue	Revisions	Name	Approved
Apr. 27, 16	UPDATED 3D VIEW	PECAULT	LEGENDRE
Feb. 15, 11	ADDED "REAR RELEASE, REAR REMOVABLE"	MOUTAULT	BROCHET
Sept 21, 09	UPDATED TOOLING	MACARI	BROCHET
Jan. 06, 09	REDRAWN MATERIALS AND FINISHES MODIFICATION	GELLUSSEAU	BROCHET
Apr. 10, 96	REDRAWN	VALGRESY	/

620310EN
RADIALL PROPRIETARY INFORMATION

This document contains proprietary information and such information shall not be disclosed to any third party for any purpose whatsoever or used for manufacturing purposes without prior written agreement from RADIALL. This information is given as an indication. In the continual goal to improve our products, we reserve the right to make any modifications judged necessary.

4112_9311