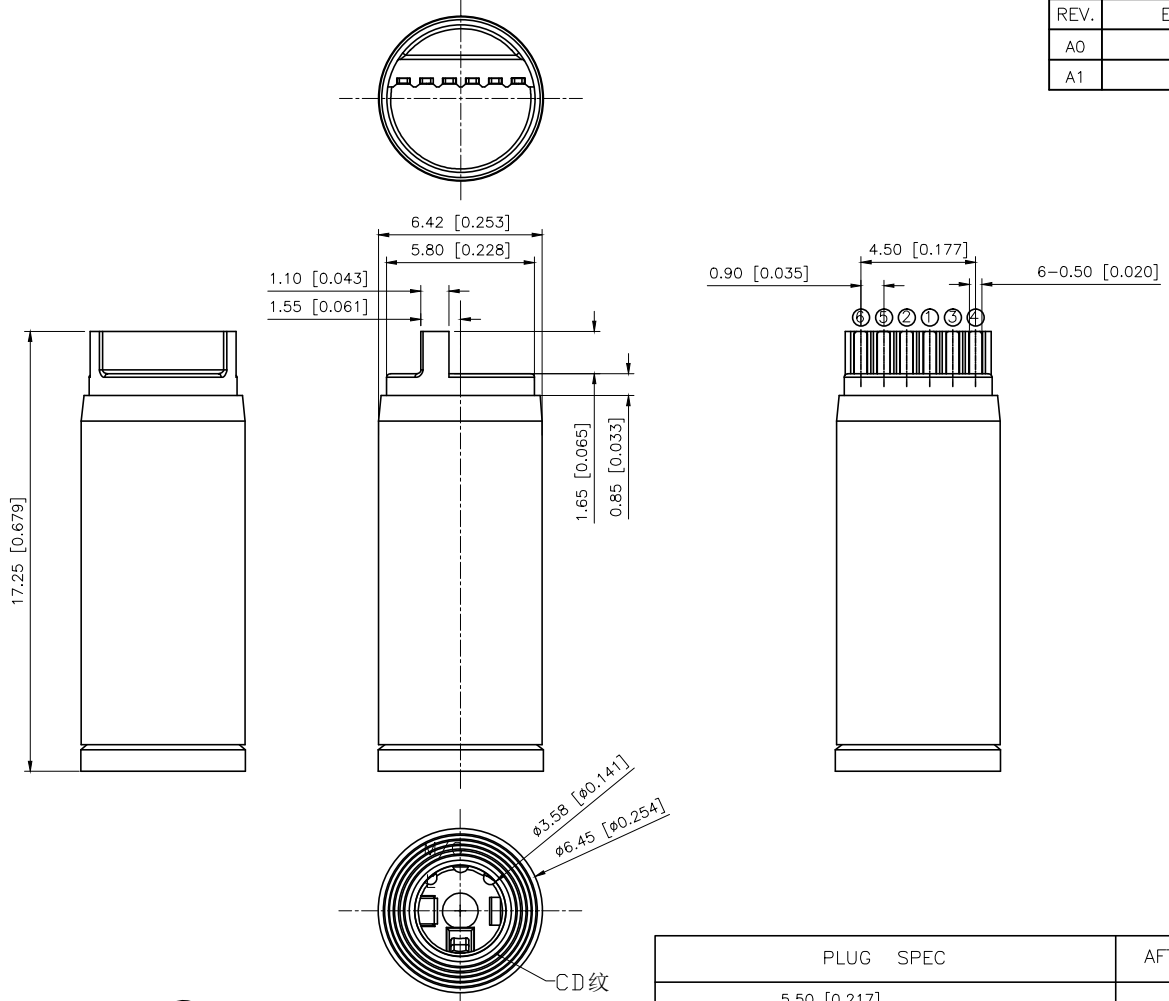
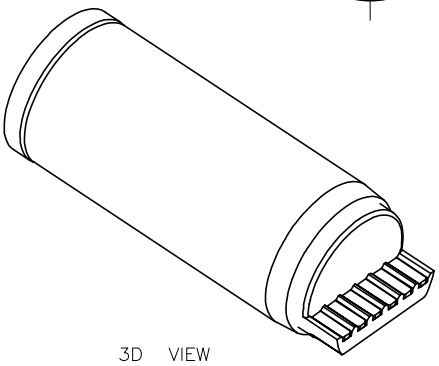


REVISIONS					
REV.	ECN NO.	LOCATION	DESCRIPTION	DATE	DESIGN
A0	N/A		INITIAL RELEASE	/	/
A1	N/A		图面升级整理图面	2025.06.30	阿树



- NOTES:
- MATERIAL: SEE "TABLE 1";
  - FINISH: SEE "TABLE 1";
  - ELECTRICAL:
    - VOLTAGE RATING: 12 VAC RMS.
    - CURRENT RATING: 0.5 AMP.
    - CONTACT RESISTANCE: 50mΩ Max.(Initial), 100mΩ Max.(After Life test).
    - INSULATION RESISTANCE: 100 MΩ Min, 500VDC.(Initial), 50 MΩ Min, 500VDC.(After Humidity test).
    - WITHSTAND VOLTAGE: 500 VAC RMS 50(60)Hz, 1 minute
  - MECHANICAL:
    - MATING FORCE: 3.0Kgf MAX.
    - UNmating FORCE: 0.3Kgf MIN.
    - OPERATING LIFE: 5000 CYCLES MIN.
  - ENVIRONMENTAL:
    - OPFRATION: -30℃~+80℃.

Model No.	PJ-38647-X
Schematic	
Color	B:Black W: White



PLUG SPEC	AFTER INSERT SCHEMATIC

Plastic	High Temp. Thermoplastic	
Terminal 6	Phosphor Bronze	Gold
Terminal 5	Phosphor Bronze	Gold
Terminal 4	Phosphor Bronze	Gold
Terminal 3	Phosphor Bronze	Gold
Terminal 2	Phosphor Bronze	Gold
Terminal 1	Phosphor Bronze	Gold
PAPT NAMF	MATERIAL	PLATING

AuGLAR	±5°
X.	±0.40
X.x	±0.30
X.xx	±0.20
X.xxx	±0.15
UNSPECIFIED TOLERAUCES	



DESIGN	阿树
CHECKED	
APPROVED	

VIEW:	
UNIT:	mm/in
SIZE:	A4

MODEL TYPE:	3.5 PHONE JACK
PART NO.:	PJ-38647-X
DWG NO.:	