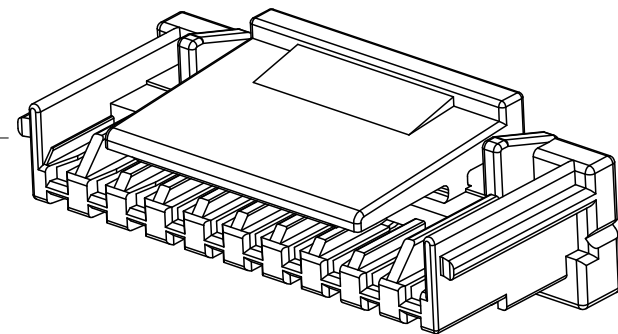
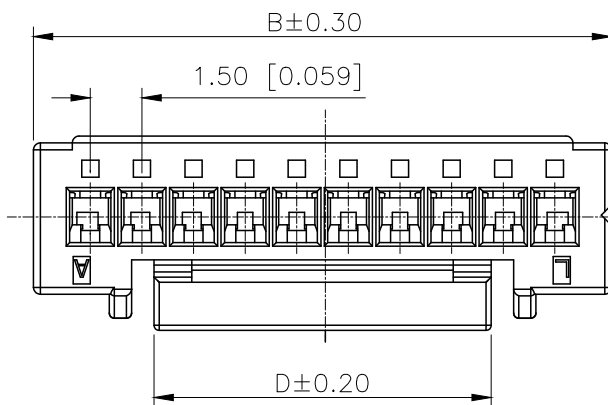


REVISIONS					
REV.	ECN NO.	LOCATION	DESCRIPTION	DATE	DESIGN
A0	N/A		INITIAL RELEASE	/	/
A1	N/A		图面升级整理图面	2024.12.18	阿树



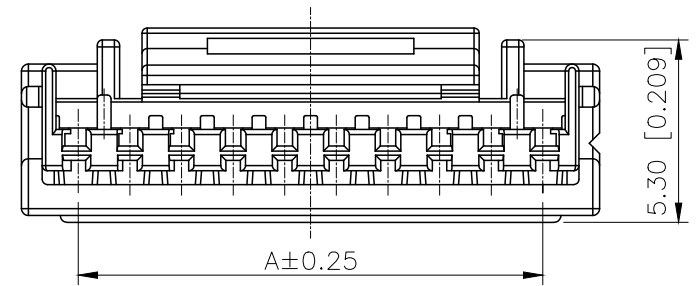
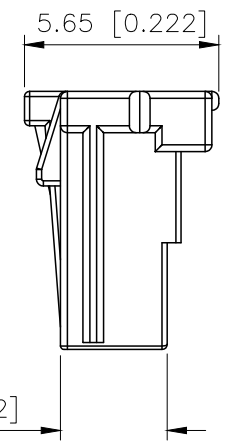
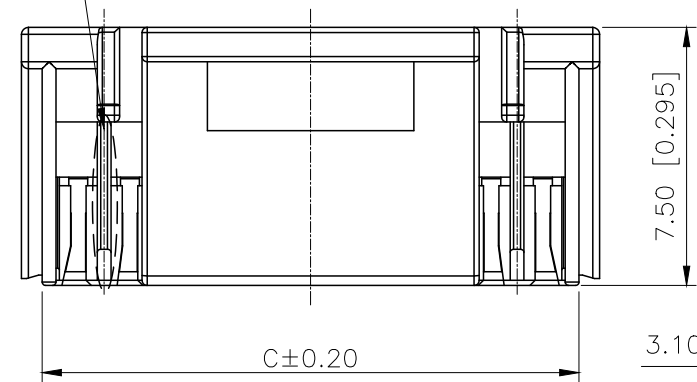
Specifications:
 规格:
 Voltage rating:100V AC/DC
 额定电压: 100V AC/DC
 Current rating:2A AC/DC
 额定电流: 2A AC/DC
 Withstanding voltage:500V AC/minute
 耐受电压: 500V AC/分钟
 Temperature range:-40°C-+125°C
 温度范围: -40°C-+125°C
 Insulation resistance:≥500MΩ
 绝缘电阻: ≥500MΩ
 Contact resistance:≤20mΩ
 接触电阻: ≤20mΩ

PART NO.:

X1507 H-XX-N0
 ① ② ③ ④

- ①Series No
- ②Category:H-HSG
- ③Row No.Pin No:XX-02~16Pin
- ④Material N0:PA66 UL94-0

10P以下无此凸台



Poles	Dimensions (mm)				Poles	Dimensions (mm)			
	A	B	C	D		A	B	C	D
02	1.50	5.00	3.60	2.70	10	13.50	16.80	15.60	9.80
03	3.00	6.30	5.10	3.45	11	15.00	18.30	17.10	9.80
04	4.50	7.80	6.60	4.45	12	16.50	19.80	18.60	9.80
05	6.00	9.30	8.10	4.45	13	18.00	21.30	20.10	11.30
06	7.50	10.80	9.60	7.45	14	19.50	22.80	21.60	11.30
07	9.00	12.30	11.10	7.45	15	21.00	24.30	23.10	11.30
08	10.50	13.80	12.60	9.80	16	22.50	25.80	24.60	11.30
09	12.00	15.30	14.10	9.80					
X1507H-XX-N0		PA66 UL 94V-0		X1507T		X1507W			
PART NO		Material		Suitable XKB Terminal		Suitable XKB Terminal			

AuGLAR	±5°
X.	±0.40
X.x	±0.30
X.xx	±0.20
X.xxx	±0.15
UNSPECIFIED TOLERANCES	



DESIGN	阿树	VIEW:		MODEL TYPE:	1.5mm Crimp Style Connector
CHECKED		UNIT:	mm/in	PART NO.:	X1507H-XX-N0
APPROVED		SIZE:	A4	DWG NO.:	

