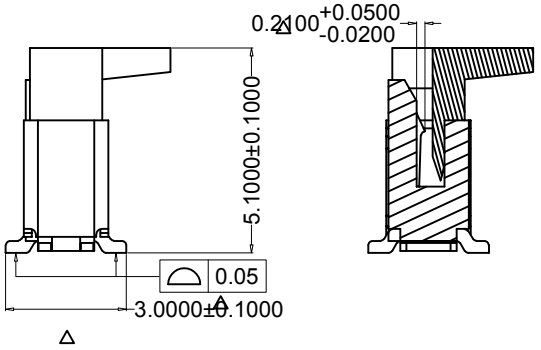
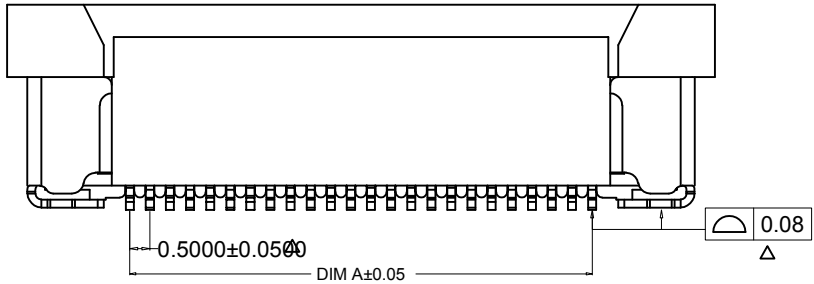
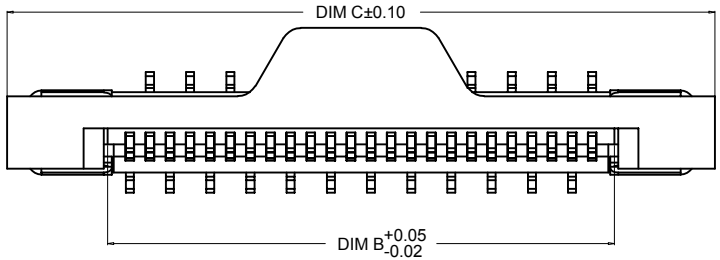
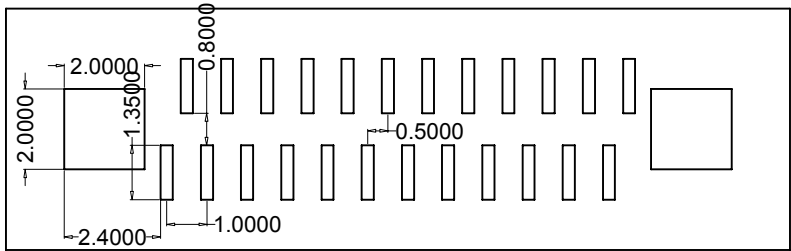


REV.	DESCRIPTION	APPD	DATE

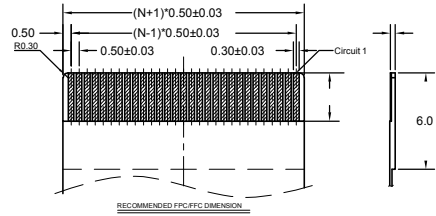
NOTES:  
 1.MATERIAL:  
 HOUSING: HIGH TEMPERATURE THERMOPLASTIC  
 UL94V\_0,COLOR:BLACK.  
 CONTACT: COPPER ALLOYS.  
 2.PLATING:  
 UNDERPLATE: NICKEL 50u"  
 CONTACT AREA: 80u" TIN OVER NICKEL.  
 3.MULTIMEDIA CARD COMPATIBLE



PIN	DIM A	DIM B	DIM C
6	2.5	3.6	8.6
8	3.5	4.6	9.6
10	4.5	5.6	10.6
12	5.5	6.6	11.6
14	6.5	7.6	12.6
16	7.5	8.6	13.6
18	8.5	9.6	14.6
20	9.5	10.6	15.6
22	10.5	11.6	16.6
24	11.5	12.6	17.6
26	12.5	13.6	18.6
28	13.5	14.6	19.6
30	14.5	15.6	20.6
32	15.5	16.6	21.6
34	16.5	17.6	22.6
36	17.5	18.6	23.6
38	18.5	19.6	24.6
40	19.5	20.6	25.6
42	20.5	21.6	26.6
44	21.5	22.6	27.6



订购需知:  
 FPC24-B1T1-2140-A  
 XX=PIN数



PART NO: FPCXX-B1T1-2140-A		MATERIAL:		TITLE: FPC 0.5PH H2.0 立式抽拉(宽盖)
LOT NO:		FINSH:		
UNIT: MM	SIZE: A4	COLOR:		DWG NO:
TOLERANCES: X.X=±0.35 X.XX=±0.25 X.XXX=±0.15		GENERAL ANGLE: X.X=±3.0° X.XX=±2.0°		
DR: liujing 2020/08/21		CHK:		SCALE: 1:1
APP:		SHEET: 1 OF 1		APP: