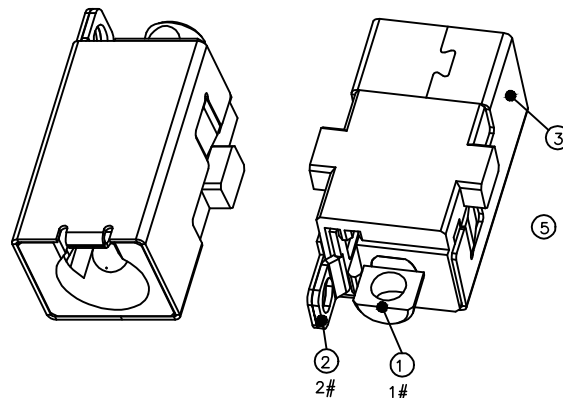
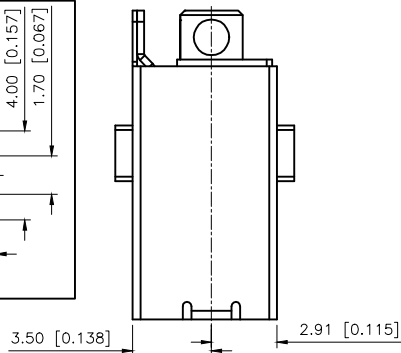
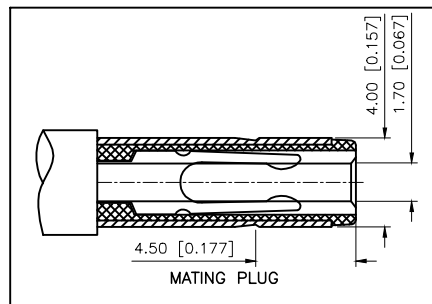
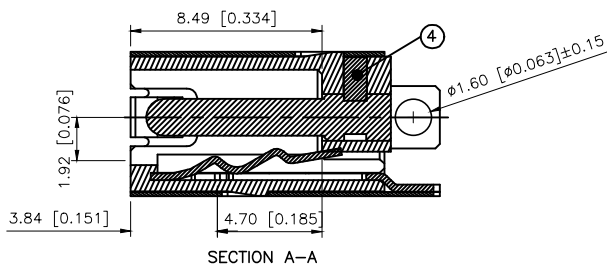
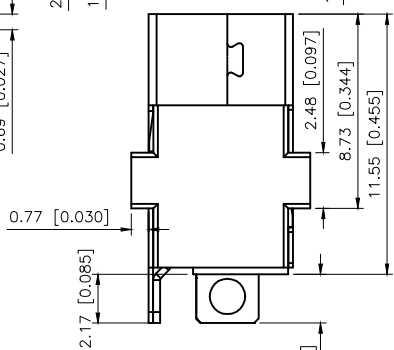
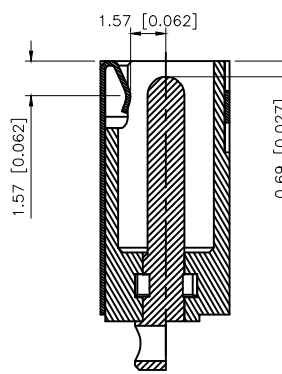
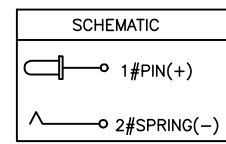
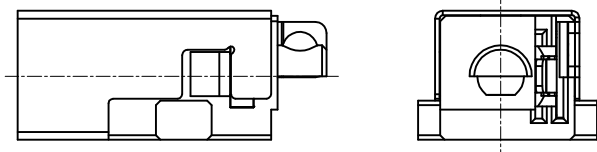
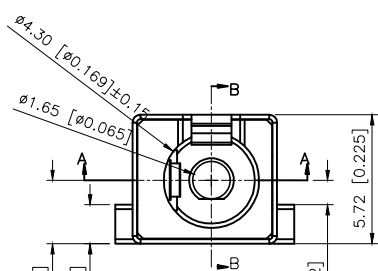
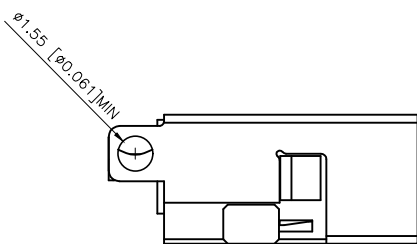


REVISIONS					
REV.	ECN NO.	LOCATION	DESCRIPTION	DATE	DESIGN
A0	N/A		INITIAL RELEASE	/	/
A1	N/A		图面升级整理图面	2025.07.01	阿树



- SPECIFICATION
- Rating : DC 12V 3A;
 - Contact resistance: <0.03Ω;
 - Insulation resistance:100MΩ (DC250V);
 - Withstand voltage:500VAC;
 - Insertion and extraction force:5-30N;
 - life test:5,000 cycles.
 - PLUG 插入后上下左右4个方向无瞬断现象



Plastic	LCP	
Terminal 2	Phosphor Bronze	Ag
Coat	Phosphor Bronze	Ni
Center pin	Brass	Ag
PAPT NAME	MATERIAL	PLATING

AuGLAR	±5°
X.	±0.40
X.x	±0.30
X.xx	±0.20
X.xxx	±0.15
UNSPECIFIED TOLERANCES	



DESIGN	阿树	VIEW:		MODEL TYPE:	DC POWER JACK
CHECKED		UNIT:	mm/in	PART NO.:	DC-042F-3A-1.65
APPROVED		SIZE:	A4	DWG NO.:	

SCALE	PAGE	REVISION
N/A	1/1	A1