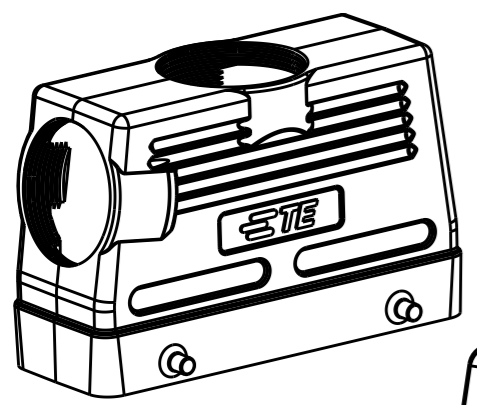
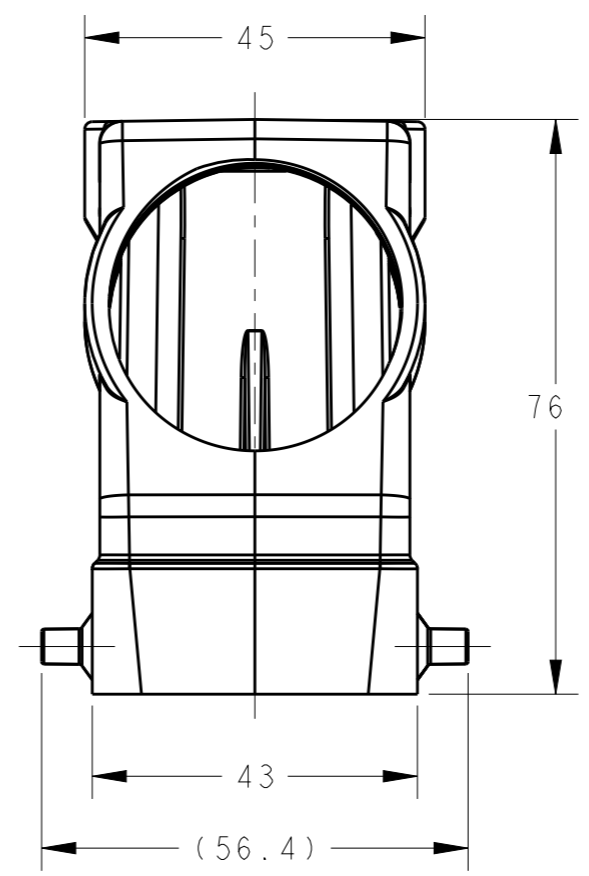
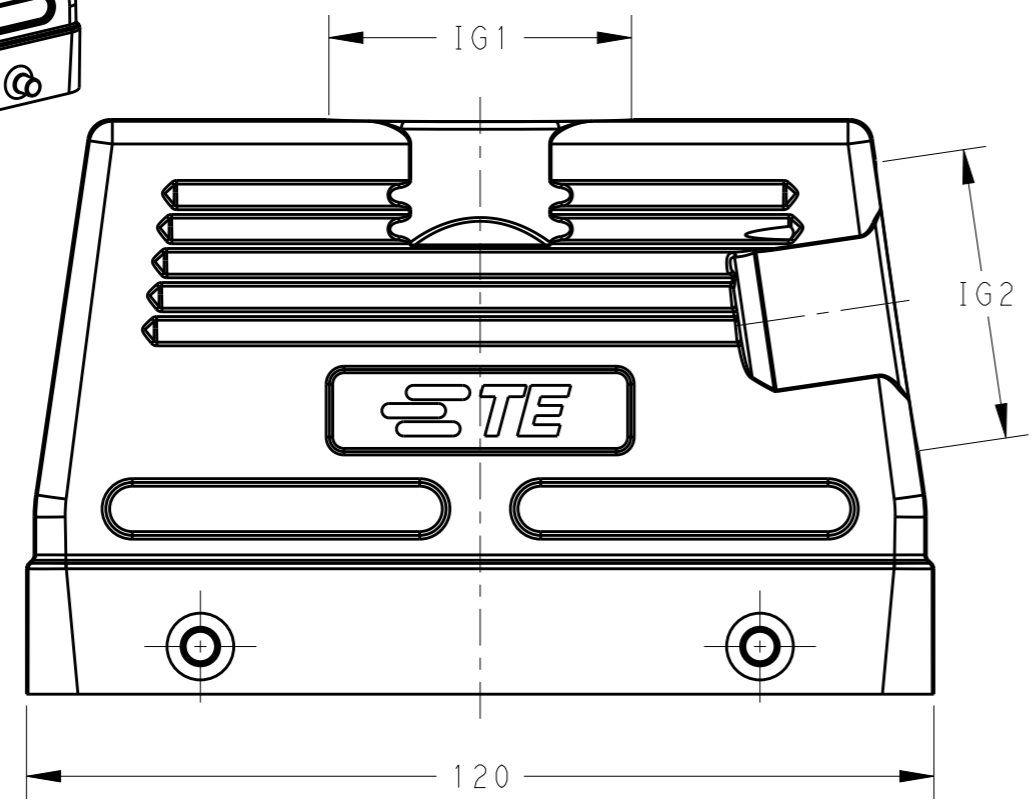


THIS DRAWING IS UNPUBLISHED. RELEASED FOR PUBLICATION 20  
 © COPYRIGHT 20 BY - ALL RIGHTS RESERVED.

| REVISIONS |     |             |           |       |
|-----------|-----|-------------|-----------|-------|
| P         | LTR | DESCRIPTION | DATE      | APVD  |
|           | A   | INITIAL     | 01JUN2015 | DW CW |
|           |     |             |           |       |
|           |     |             |           |       |

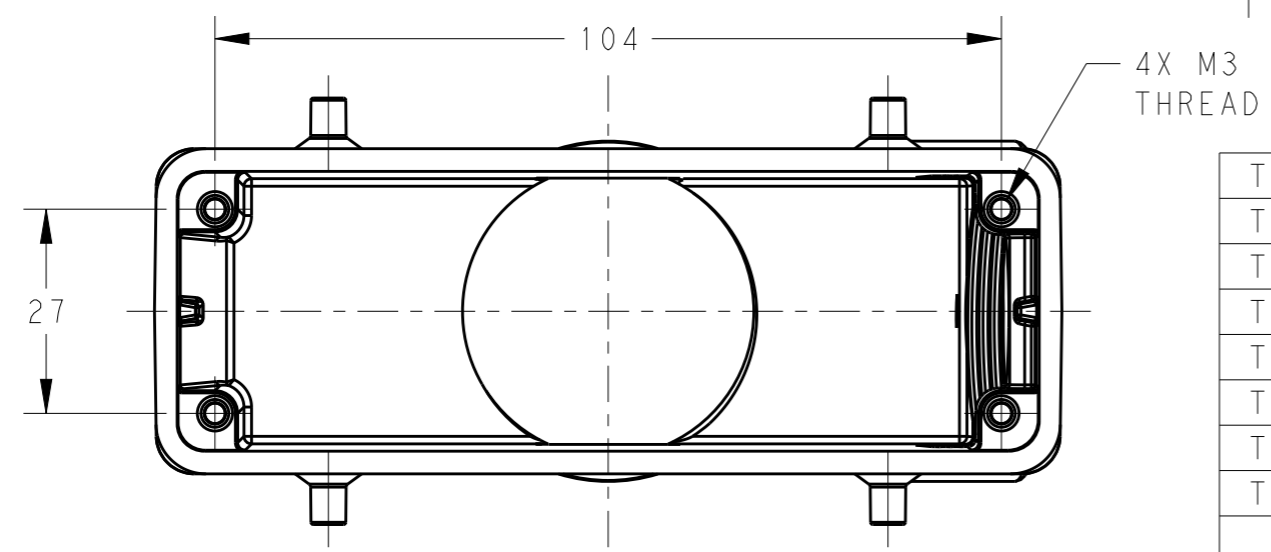


SCALE 1:2



NOTES:  
 1. TECHNICAL CHARACTERISTICS:  
 HOOD MATERIAL: DIE CAST ALUMINIUM ALLOY  
 SURFACE: POWDER COATED, GREY  
 OPERATION TEMPERATURE: -40-+125°C  
 DEGREE OF PROTECTION: IP65 (MATED)

注释:  
 1. 技术参数:  
 上壳材料: 铝合金  
 表面处理: 粉末涂层, 灰色  
 工作温度: -40-+125°C  
 防护等级: IP65(配合)



|                 |                      |                   |      |      |
|-----------------|----------------------|-------------------|------|------|
| T1230240229-000 | H24B-TGH/TSH-2PG29   | HIGH CONSTRUCTION | PG29 | PG29 |
| T1230242525-000 | H24B-TGH/TSH-2M25    |                   | M25  | M25  |
| T1230243232-000 | H24B-TGH/TSH-M32/M32 |                   | M32  | M32  |
| T1230242532-000 | H24B-TGH/TSH-M25/M32 |                   | M25  | M32  |
| T1230242540-000 | H24B-TGH/TSH-M25/M40 |                   | M25  | M40  |
| T1230244020-000 | H24B-TGH/TSH-M40/M20 |                   | M40  | M20  |
| T1230244025-000 | H24B-TGH/TSH-M40/M25 |                   | M40  | M25  |
| T1230244040-000 | H24B-TGH/TSH-M40/M40 |                   | M40  | M40  |
| PART NUMBER     | DESCRIPTION          | TYPE              | IG1  | IG2  |

|  |  |                                |   |  |
|--|--|--------------------------------|---|--|
| THIS DRAWING IS A CONTROLLED DOCUMENT. |  | DWN 01JUN2015<br>David Wang    | TE Connectivity                         |  |
| DIMENSIONS: mm                         |  | CHK 01JUN2015<br>Chris Wang    |   |  |
| TOLERANCES UNLESS OTHERWISE SPECIFIED: |  | APVD 01JUN2015<br>Xiang Xu     | NAME<br>H24B-TGH/TSH-2 M/PG             |  |
| 0 PLC ±-                               |  | PRODUCT SPEC<br>108-137013     | SIZE CAGE CODE DRAWING NO RESTRICTED TO |  |
| 1 PLC ±-                               |  | APPLICATION SPEC<br>114-137013 | A300779 © T123024XXXX000                |  |
| 2 PLC ±-                               |  | WEIGHT<br>-                    | SCALE 1:1 SHEET 1 OF 1 REV A            |  |
| 3 PLC ±-                               |  | Customer Drawing               |   |  |
| 4 PLC ±-                               |  |                                |   |  |
| ANGLES ±-                              |  |                                |   |  |
| FINISH                                 |  |                                |   |  |
| MATERIAL                               |  |                                |   |  |

# Mouser Electronics

Authorized Distributor

Click to View Pricing, Inventory, Delivery & Lifecycle Information:

[TE Connectivity:](#)

[T1230240229-000](#)