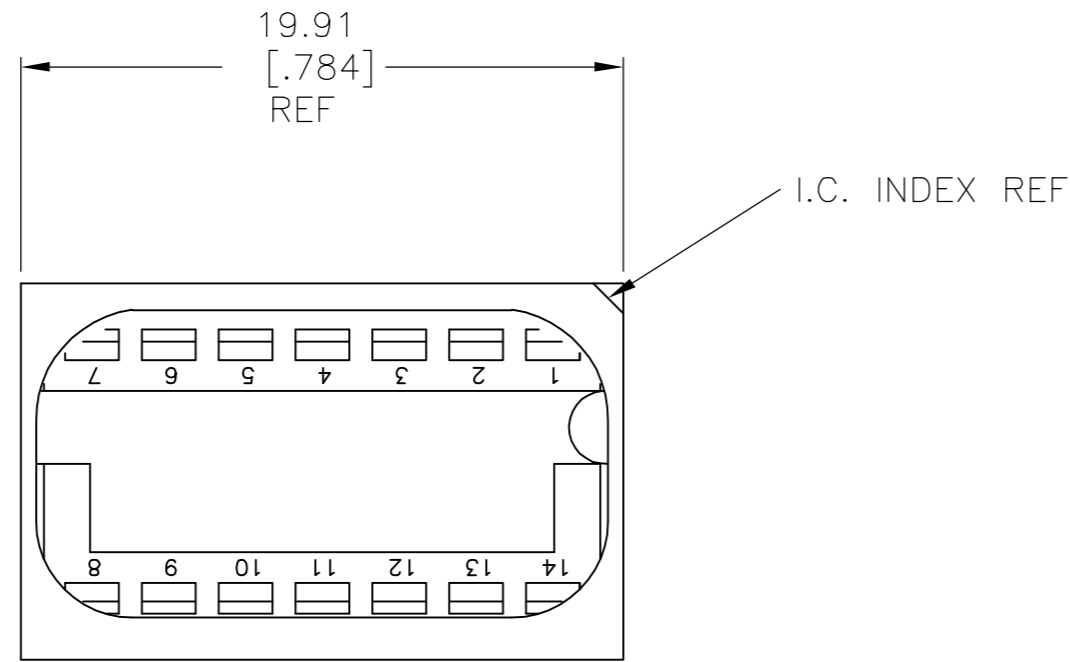
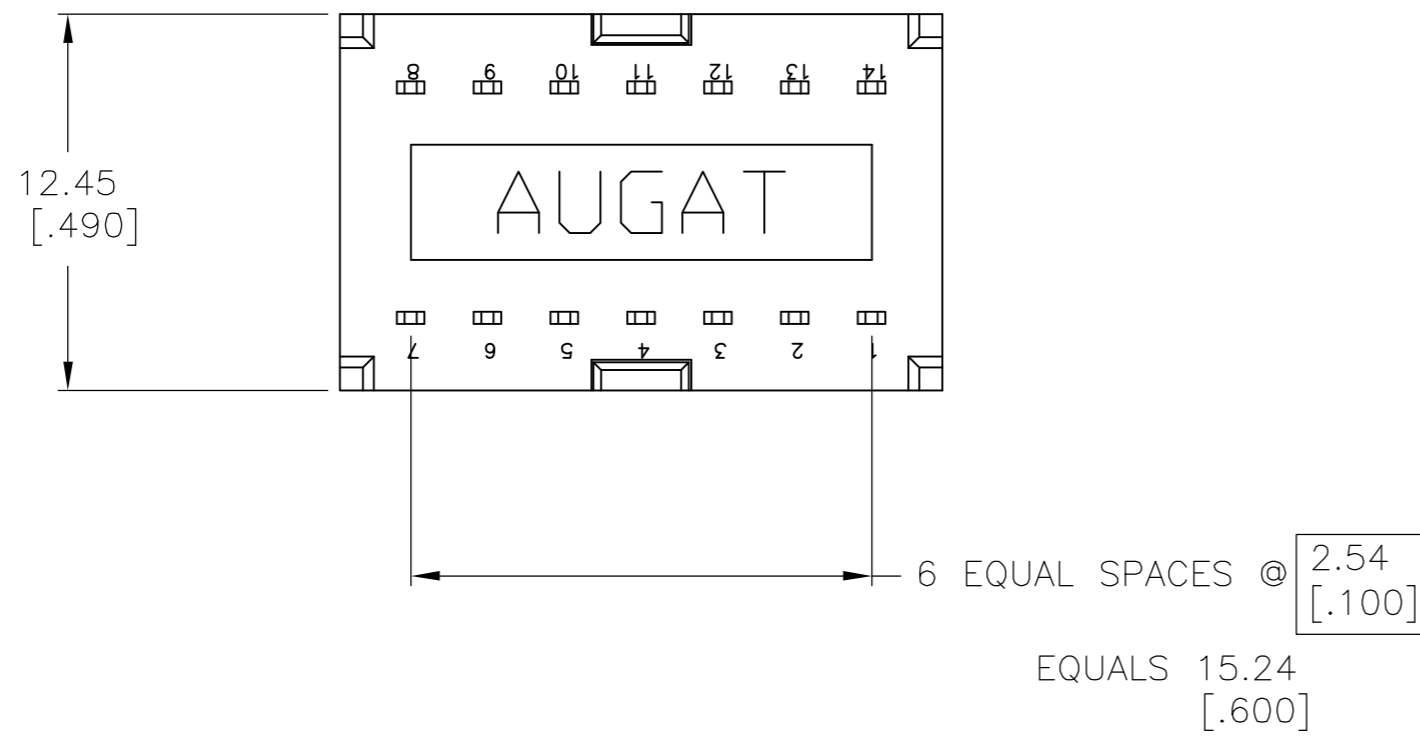
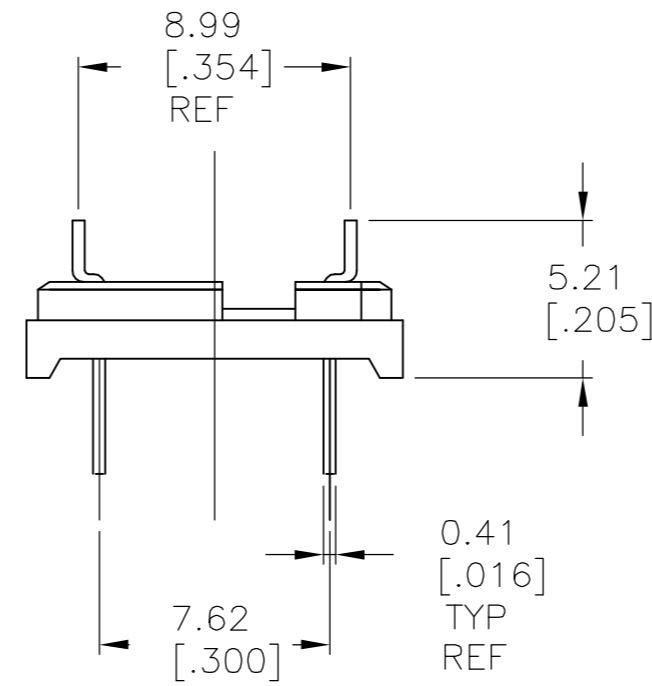
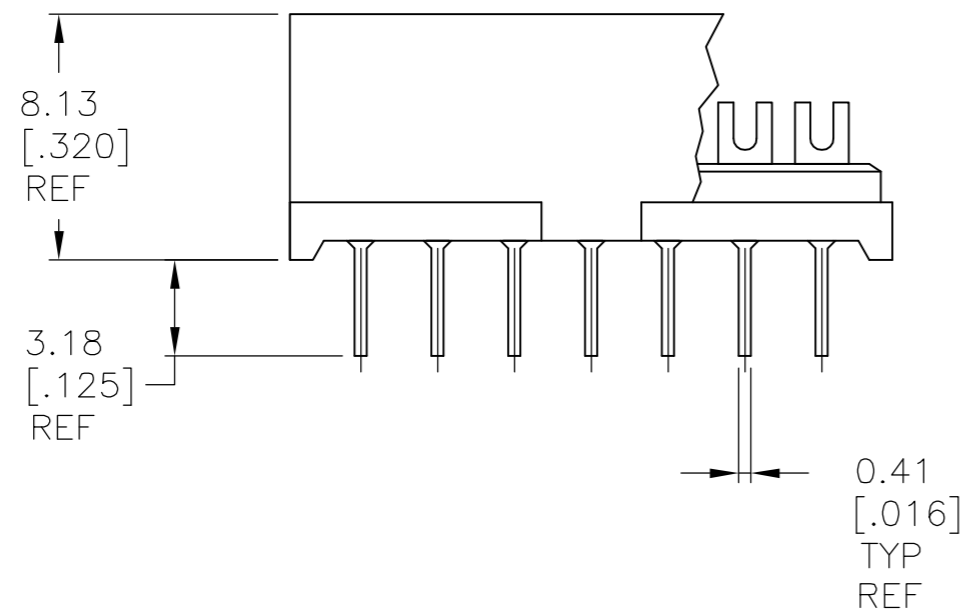


THIS DRAWING IS UNPUBLISHED. RELEASED FOR PUBLICATION  
 © COPYRIGHT BY TYCO ELECTRONICS CORPORATION. ALL RIGHTS RESERVED.

LOC	DIST	REVISIONS			
P	LTR	DESCRIPTION	DATE	DWN	APVD
AD	00	A	ECO-06-24636	24OCT06	MM



- 1 INSULATOR - THERMOPLASTIC POLYESTER, UL RATED 94-VO, COLOR-BLACK  
COVER - THERMOPLASTIC POLYESTER, UL RATED 94-VO, COLOR-BLACK
- 2 CONTACT: PHOSPHOR BRONZE, GOLD PLATE 0.0005[.00002] MIN THICK
- 3 CONTACT: PHOSPHOR BRONZE, TIN PLATE 0.0005[.00002] MIN THICK
- 4 CONTACT: PHOSPHOR BRONZE, MATTE TIN PLATE 0.0005[.00002] MIN THICK



4	614-DG6-LF	2-6437515-6
3	614-DG6	2-1437515-6
2	614-DG5	2-1437515-5
FINISH	T & B NUMBER	TYCO PART NUMBER

THIS DRAWING IS A CONTROLLED DOCUMENT.		DWN	M.BIINER	24OCT2006	<b>tyco</b> Tyco Electronics Corporation		
DIMENSIONS: mm [INCHES]		CHK	M.MILLER		Harrisburg, PA 17105-3608		
TOLERANCES UNLESS OTHERWISE SPECIFIED:		APVD	M.MILLER		NAME		
0 PLC ± -		PRODUCT SPEC			ADAPTER PLUG ASSEMBLY		
1 PLC ± -		APPLICATION SPEC			SIZE	CAGE CODE	DRAWING NO
2 PLC ± 0.13[.005]					A2	00779	C=2-1437515-5
3 PLC ± -					RESTRICTED TO		
4 PLC ± -					-		
ANGLES ± 1°		WEIGHT	-		SCALE	SHEET	REV
FINISH		CUSTOMER DRAWING			4:1	1 of 1	A
SEE TABLE							