

# Splice box - FOC-FDX20-PP-SCD6-MM - 1019686

Please be informed that the data shown in this PDF Document is generated from our Online Catalog. Please find the complete data in the user's documentation. Our General Terms of Use for Downloads are valid (<http://phoenixcontact.com/download>)



DIN rail splice box, without pigtails, for 6x SC duplex

DIN rail splice box including 6x SC duplex couplings

## Product Description

DIN rail splice box of the FDX 20 series, equipped with 6x SC duplex couplings, splice holder (for separately sold shrink und crimp splice protection) on a patented splice comb made from powder-coated sheet steel. Cable insertion possible via cable gland either at top or bottom. Housing (2-part) prepared for DIN rail mounting through rear-side adapter (this can also be mounted on the side).

### Scope of supply:


DIN rail housing with integrated splice comb (mounted), equipped with 6x SC duplex couplings, 1x splice holder, 1x cable gland (M20x1.5)

## Your advantages

- ✓ Intuitive front panel operation and clear control cabinet layout thanks to uniform design
- ✓ Flexible DIN rail mounting possible in three positioning directions
- ✓ Perfectly sized and patented pigtail tray, for convenient splicing and compact bending radii.
- ✓ 6 duplex front connections and compact dimensions, for more space in the control cabinet
- ✓ Suitable for industrial applications
- ✓ Continuously reliable data connection, thanks to extensively tested components
- ✓ 3-stage strain relief
- ✓ easy to install
- ✓ including cable gland
- ✓ Small bunched wire tube is guided directly on the splice holder



## Key Commercial Data

|              |   |
|--------------|---|
| Packing unit | 1 pc  |
| GTIN         | <br>4 055626 701127 |
| GTIN         | 4055626701127   |

## Technical data

### Mechanical characteristics

# Splice box - FOC-FDX20-PP-SCD6-MM - 1019686

## Technical data

### Mechanical characteristics

|                              |  |
|------------------------------|--|
| Number of slots              | 6  |
| Connection profile           | SC duplex as per IEC 61754-4   |
| Fiber type                   | GOF  |
| Ferrule diameter             | 2.50 mm  |
| Insertion/withdrawal cycles  | ≥ 500  |
| Connection method            | Cable gland M20  |
| External cable diameter      | 6 mm ... 12 mm   |
| Cable outlet                 | above and below  |
| Type of cable                | For all common cable types   |
| Color                        | traffic grey A RAL 7042  |
| Mounting type                | DIN rail mounting  |
| Degree of protection         | IP20   |
| Type                         | Rail-mountable module  |
| No. of cable outlets         | 2  |
| Type of the screw connection | M20 x 1.5  |
| Type of note                 | Order information:   |
| Note                         | In addition, shrink splice protection (Order No.: 1019676) or crimp splice protection (Order No.: 1019678) must be ordered separately. |

### Ambient conditions

|                                 |                               |
|---------------------------------|-------------------------------|
| Ambient temperature (operation) | -40 °C ... 85 °C              |
| Ambient temperature (assembly)  | 0 °C ... 50 °C                |
| Degree of protection            | IP20 (according to IEC 60529) |

### Material data

|  |                     |
|--|---------------------|
| Flammability rating according to UL 94 | V0                  |
| Housing material                       | Sheet steel         |
| Housing surface material               | Powder-coated, gray |
| Ferrule material                       | Zirconia ceramics   |
| Housing width                          | 40 mm               |
| Depth                                  | 115 mm              |
| Height                                 | 130 mm              |

### Line characteristics

|                     |                            |
|---------------------|----------------------------|
| Type of cable       | For all common cable types |
| Cable type          | Fiberglass                 |
| Transmission medium | FO                         |
| Number of fibers    | 12                         |
| Fiber               | GOF                        |

### Standards and Regulations

|  |     |
|--|-----|
| Resistance to UV radiation             | yes |
| Flammability rating according to UL 94 | V0  |

# Splice box - FOC-FDX20-PP-SCD6-MM - 1019686

## Technical data

### Standards and Regulations

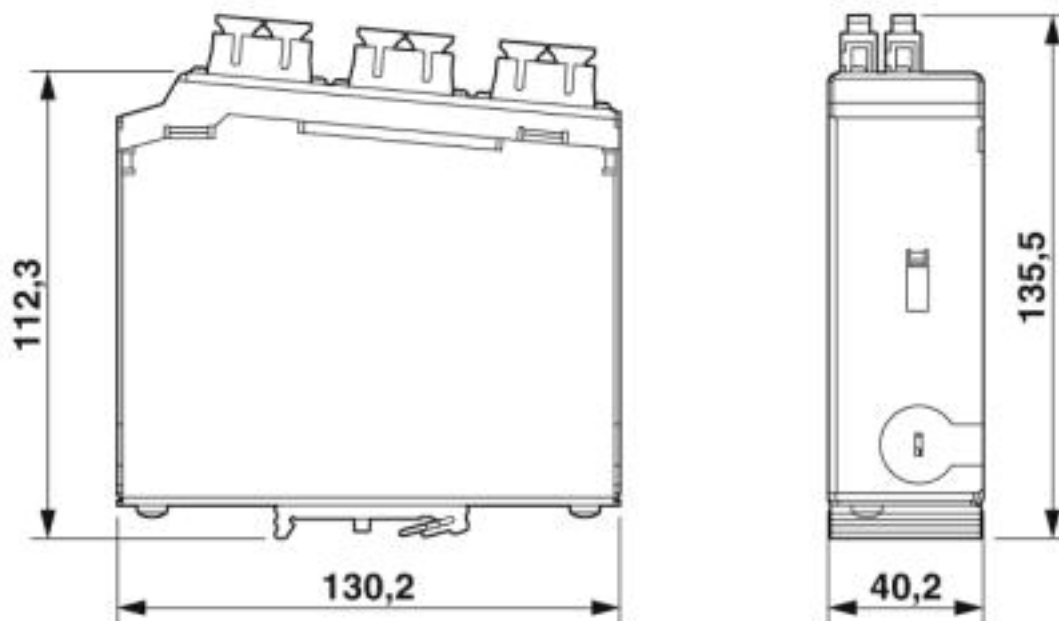
|                 |                           |
|-----------------|---------------------------|
| Shock           | DIN EN 61300-2-9: 2015-09 |
| Assignment plan | yes International         |

### Environmental Product Compliance

|            |   |
|------------|---|
| China RoHS | Environmentally friendly use period: unlimited = EFUP-e |
|            | No hazardous substances above threshold values          |

## Drawings

Dimensional drawing



DIN rail distributor 6x SC duplex

## Approvals

Approvals

Approvals

EAC

Ex Approvals

## Approval details

## Splice box - FOC-FDX20-PP-SCD6-MM - 1019686

### Approvals

EAC



B.01742

Phoenix Contact 2019 © - all rights reserved  
<http://www.phoenixcontact.com>

PHOENIX CONTACT GmbH & Co. KG  
Flachsmarktstr. 8  
32825 Blomberg  
Germany  
Tel. +49 5235 300  
Fax +49 5235 3 41200  
<http://www.phoenixcontact.com>