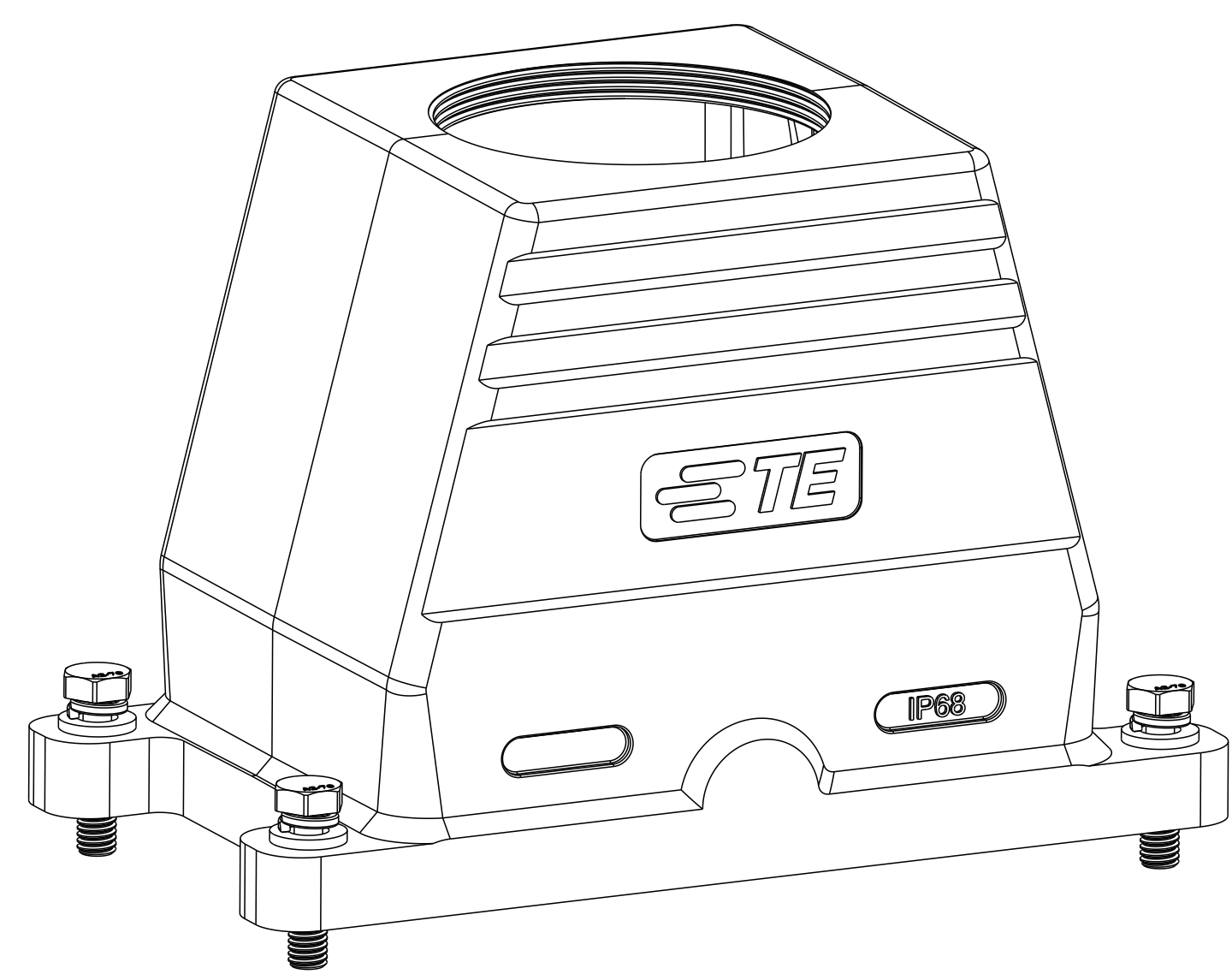
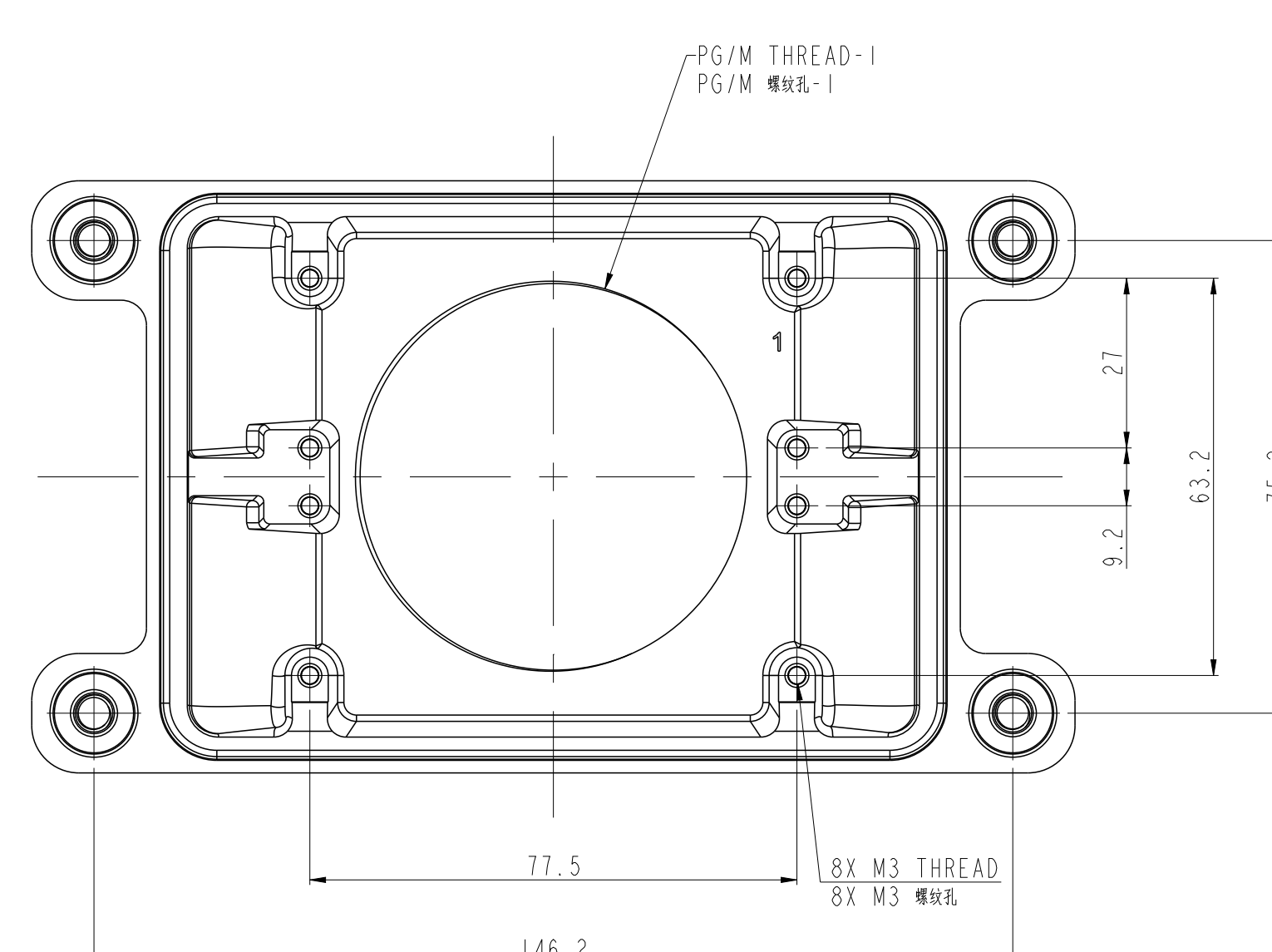
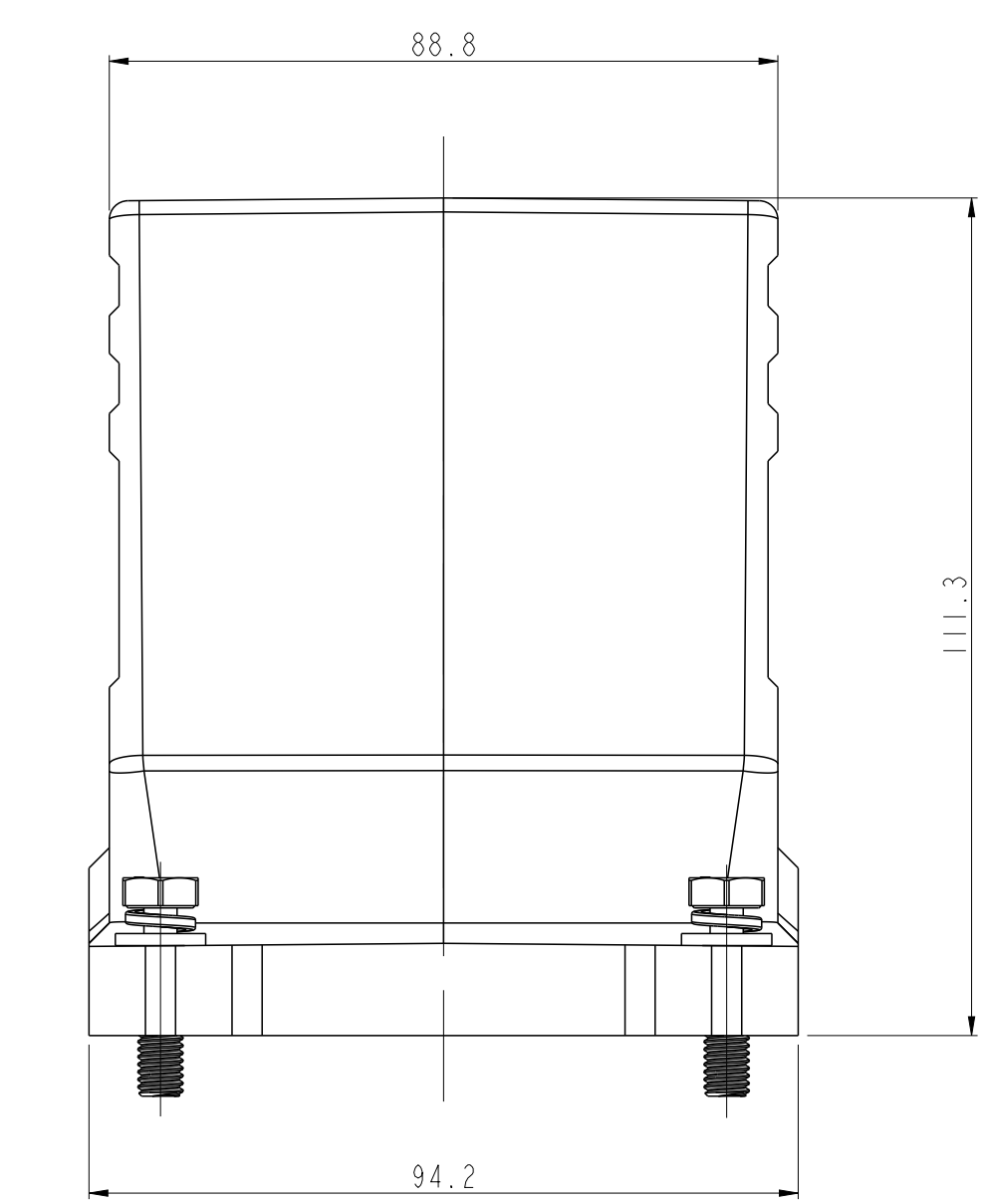
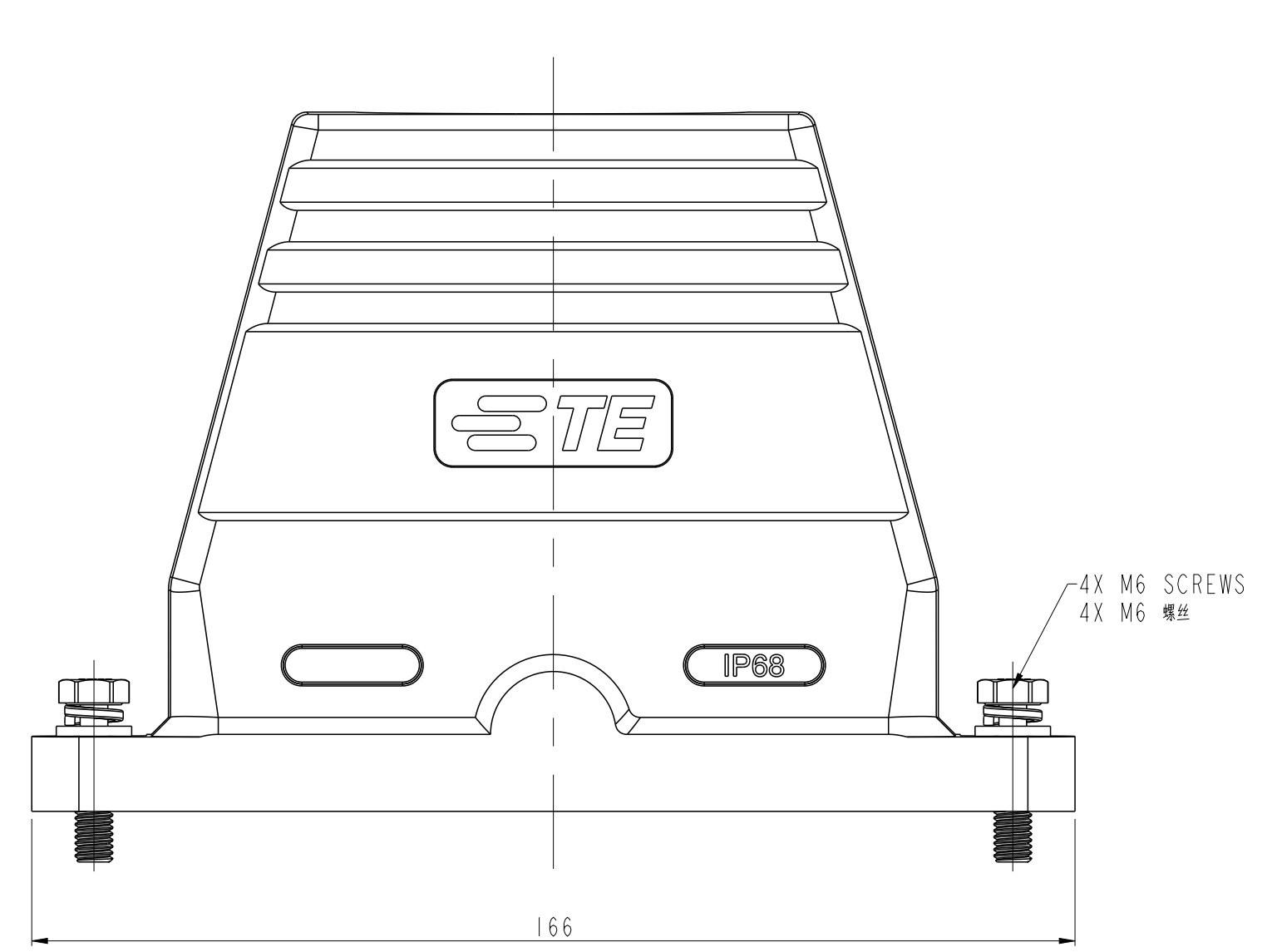
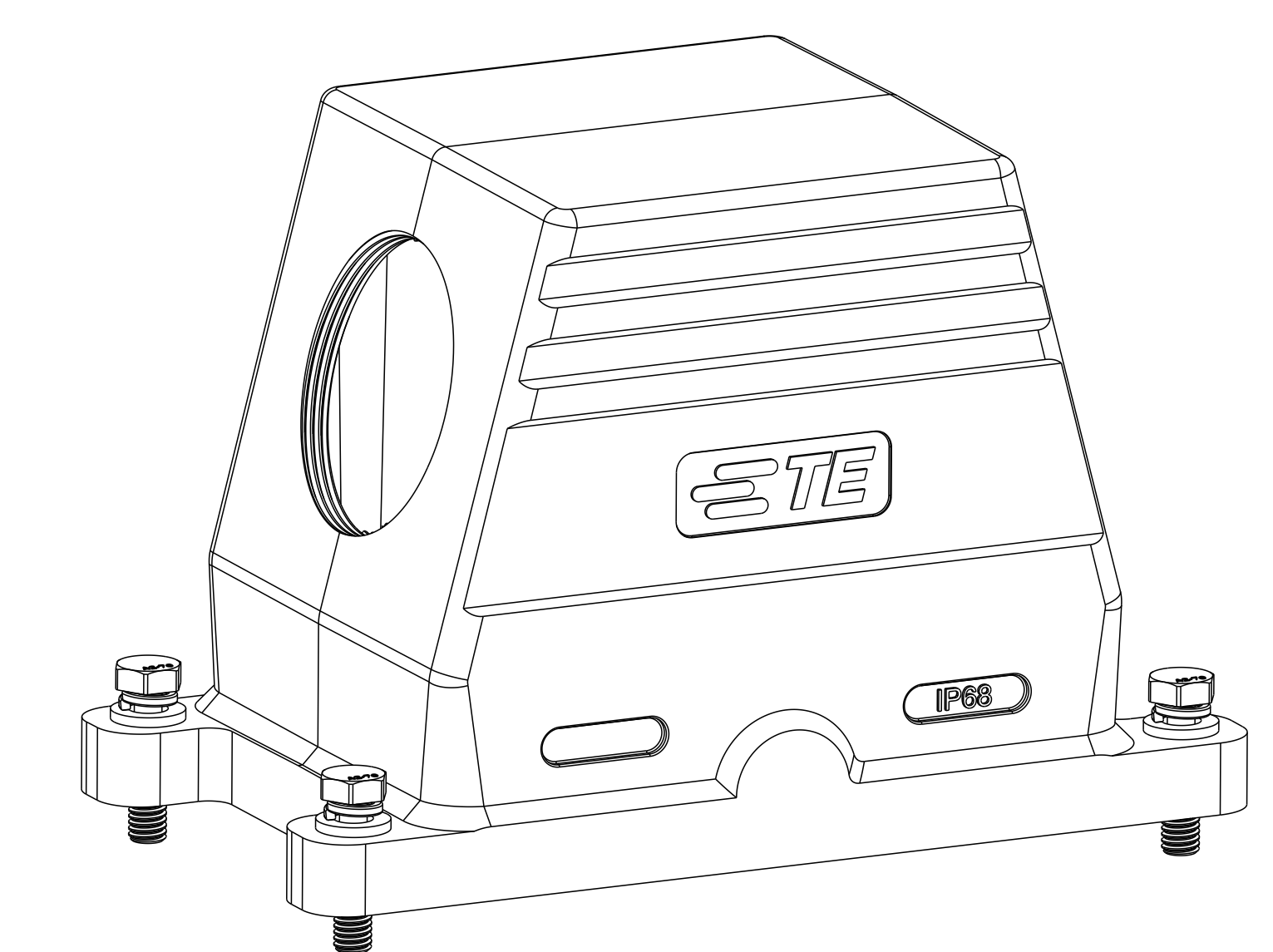
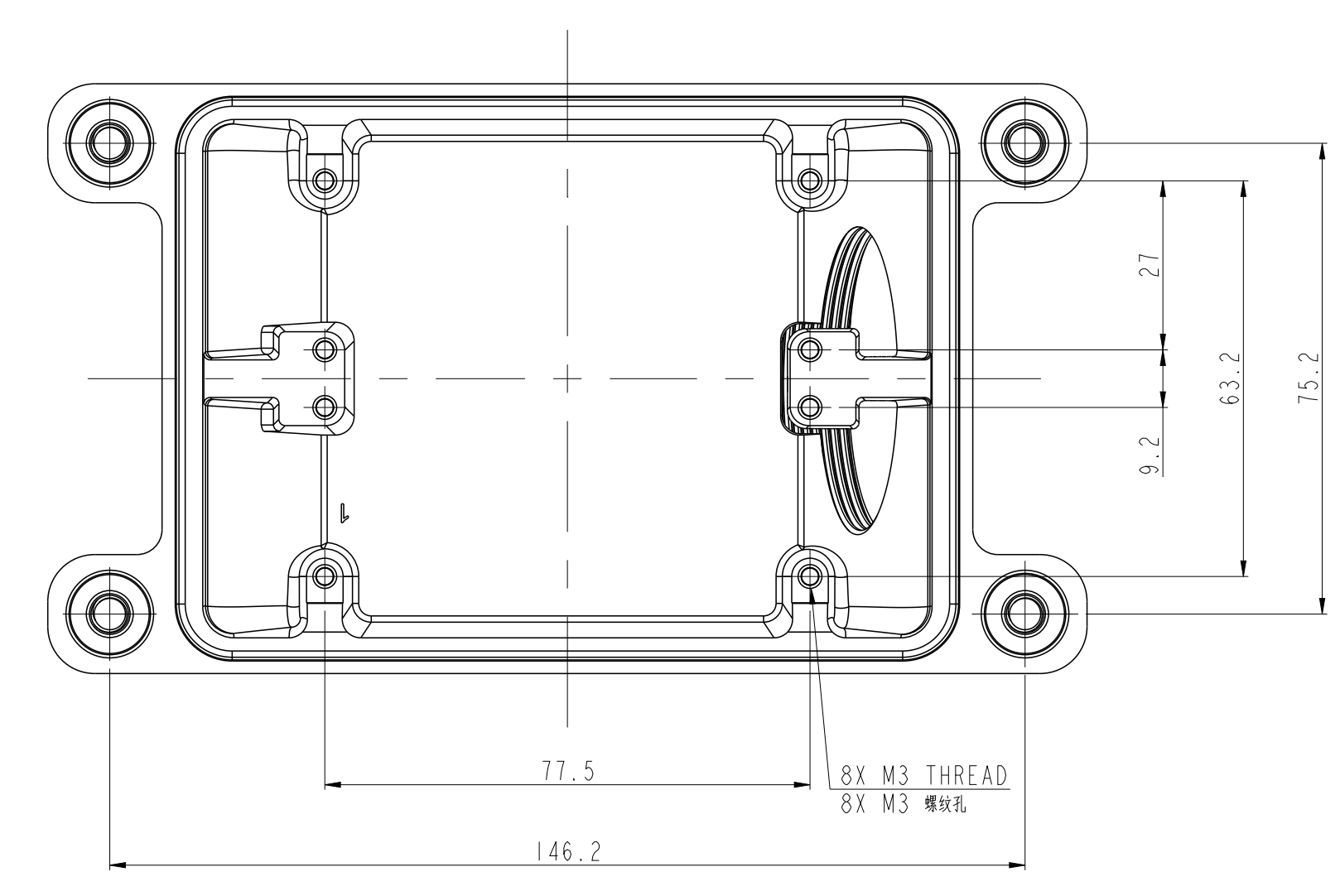
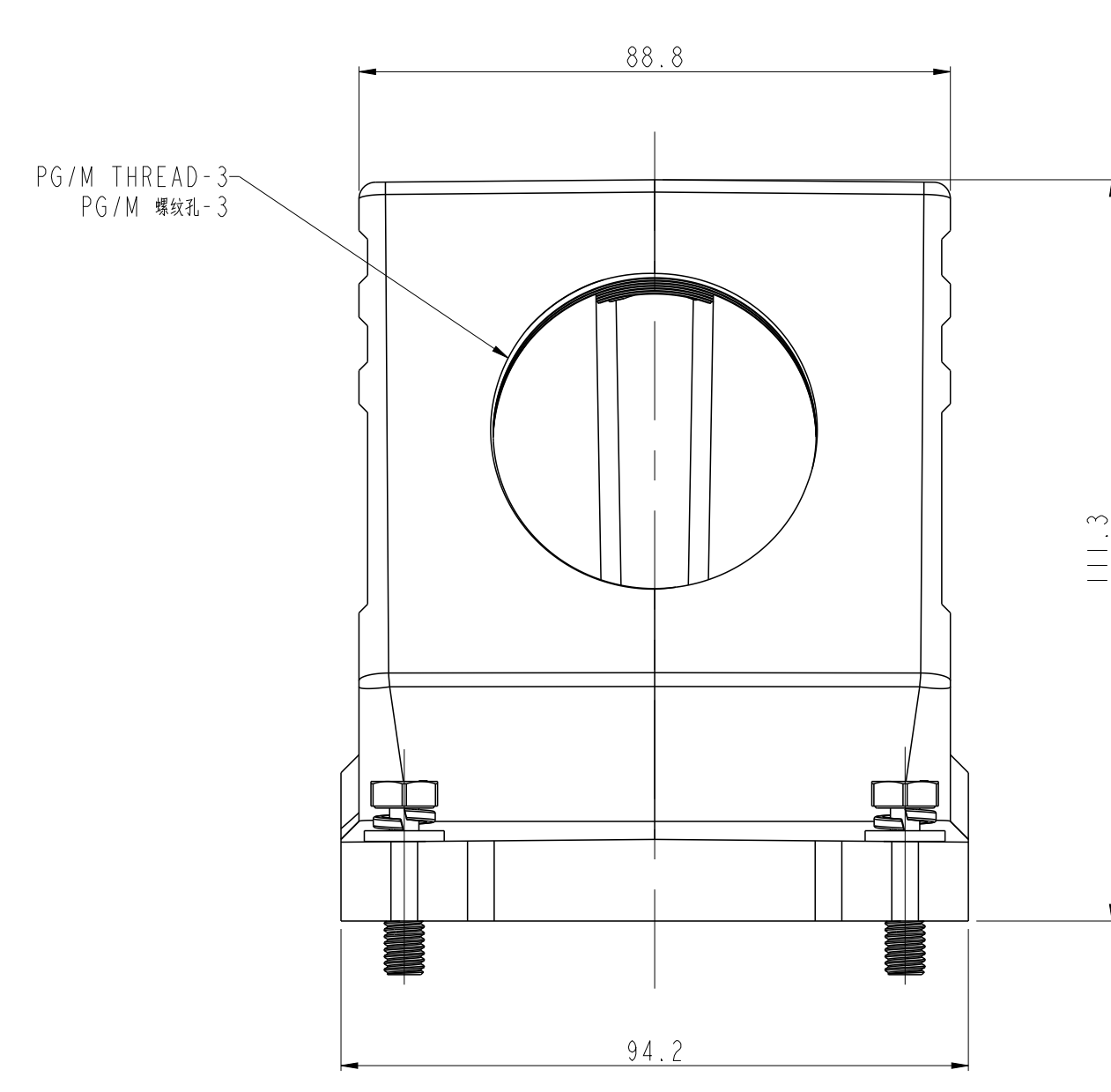
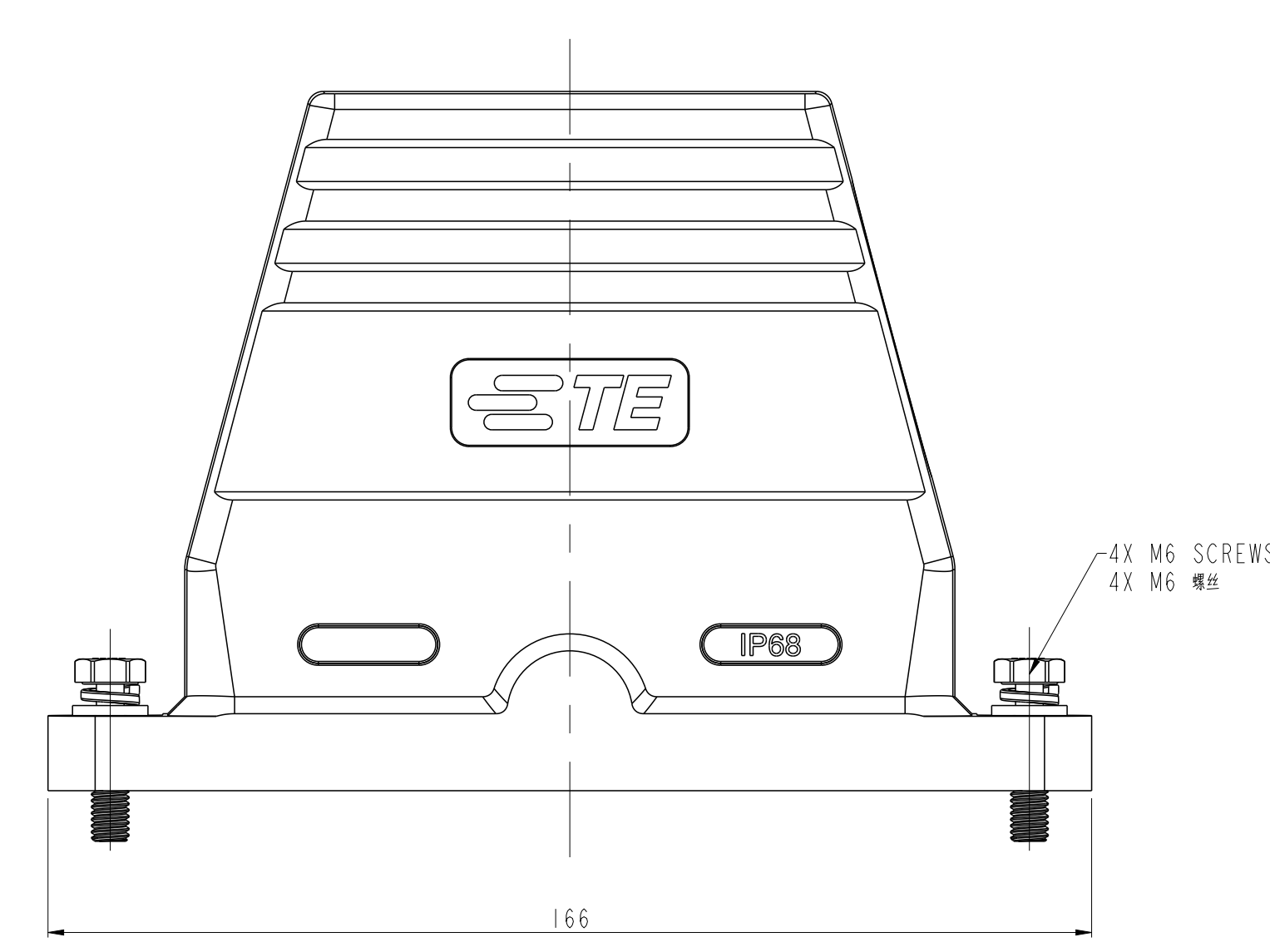


REVISIONS			
REV	DATE	BY	APPD
A	INITIAL	26JUL2016	DY CW
A1	ECR-16-014639	15OCT2016	DY CW
A2	ECR-19-003922	19MAR2019	CD CW

TYPE-1: STANDARD TOP ENTRY
 AM-1: 400016

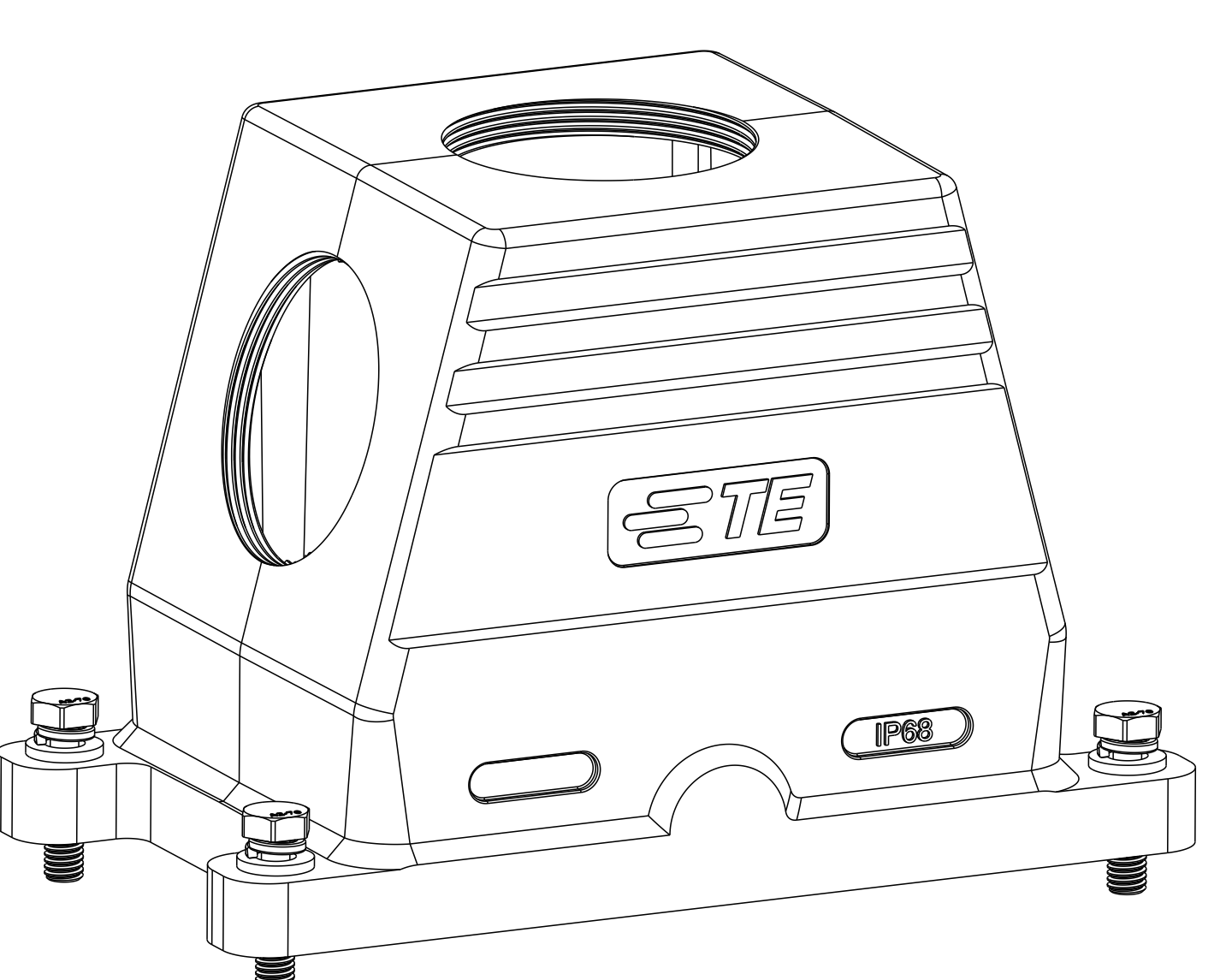
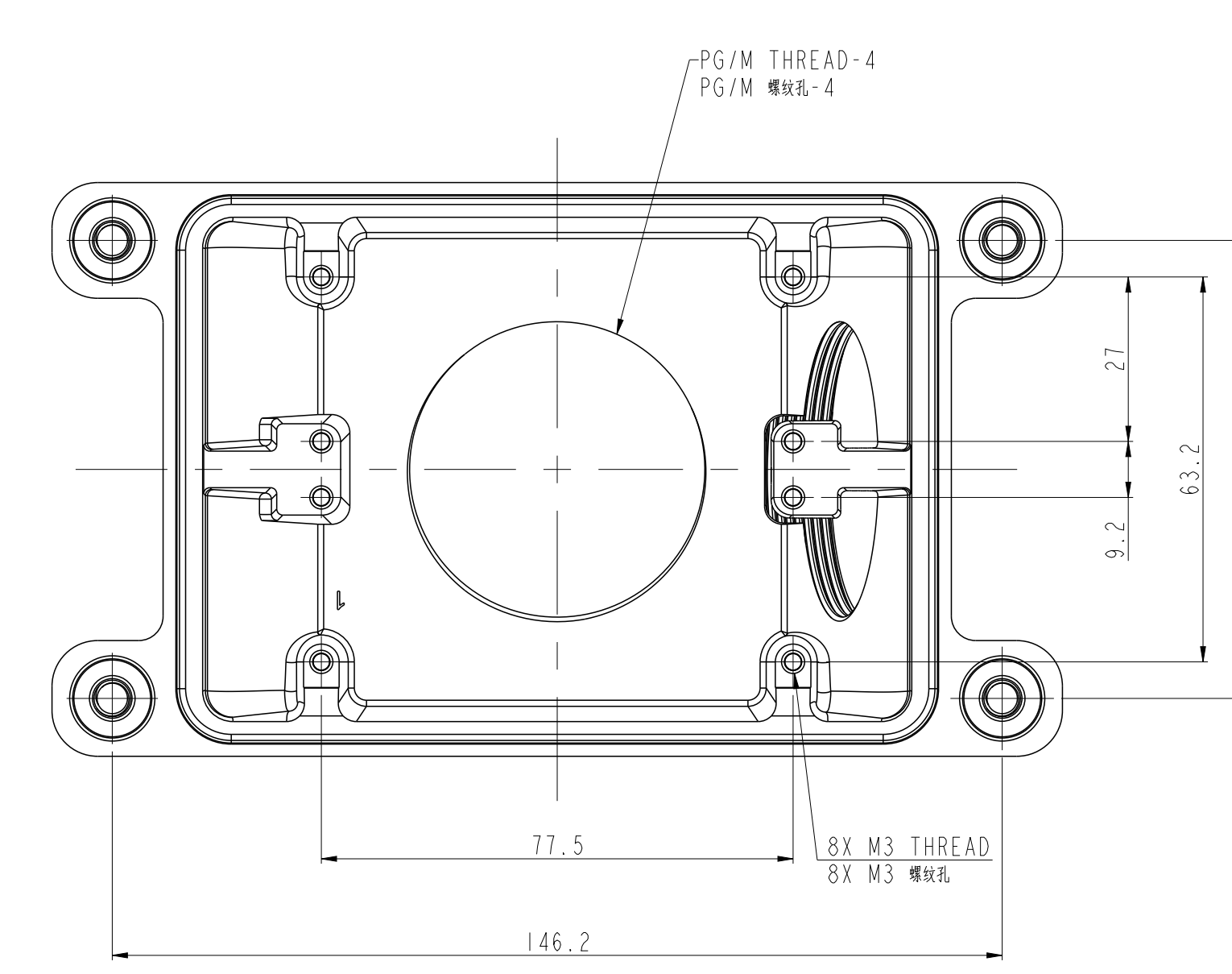
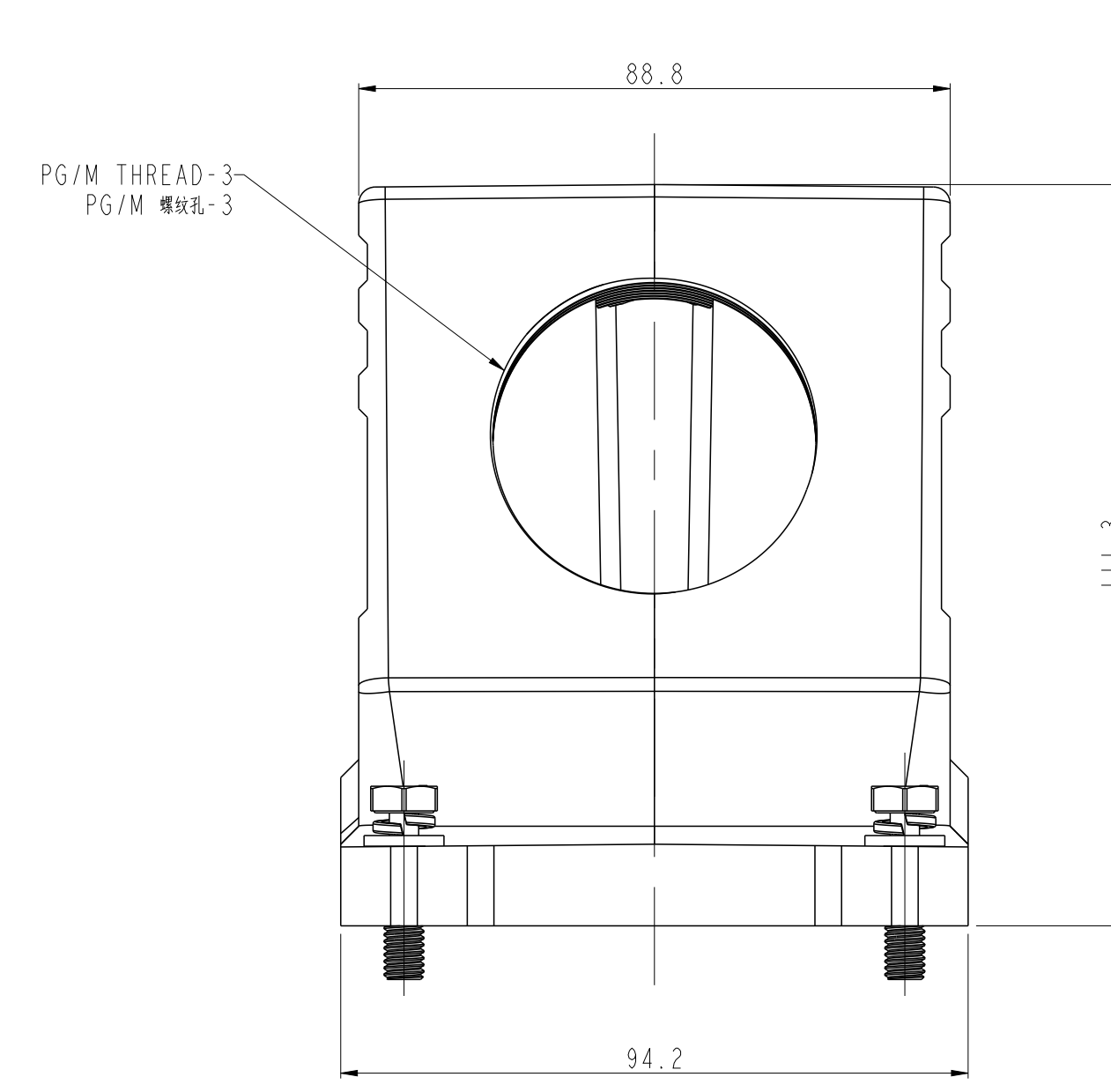
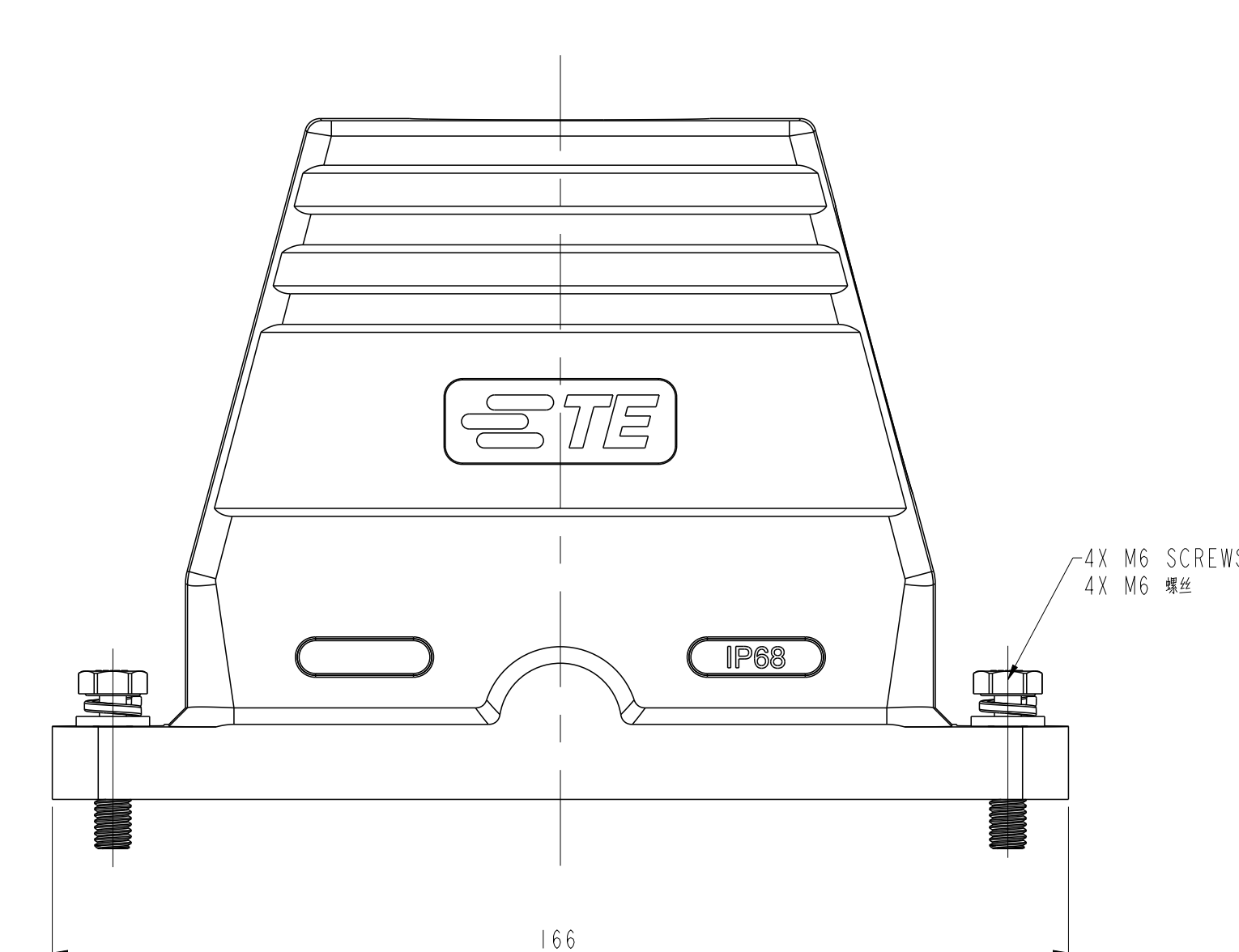


TYPE-2: STANDARD SIDE ENTRY
 AM-2: 400016

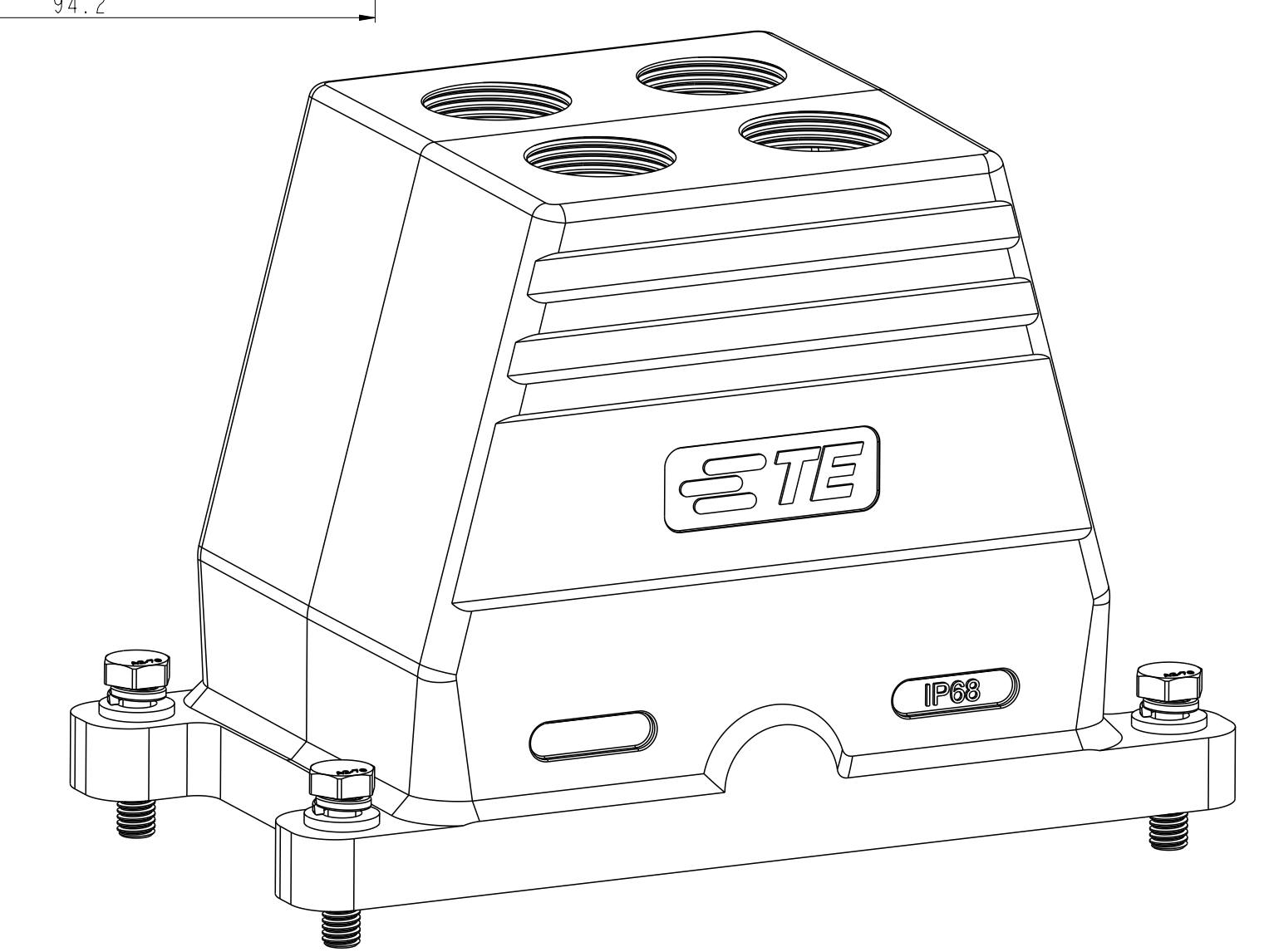
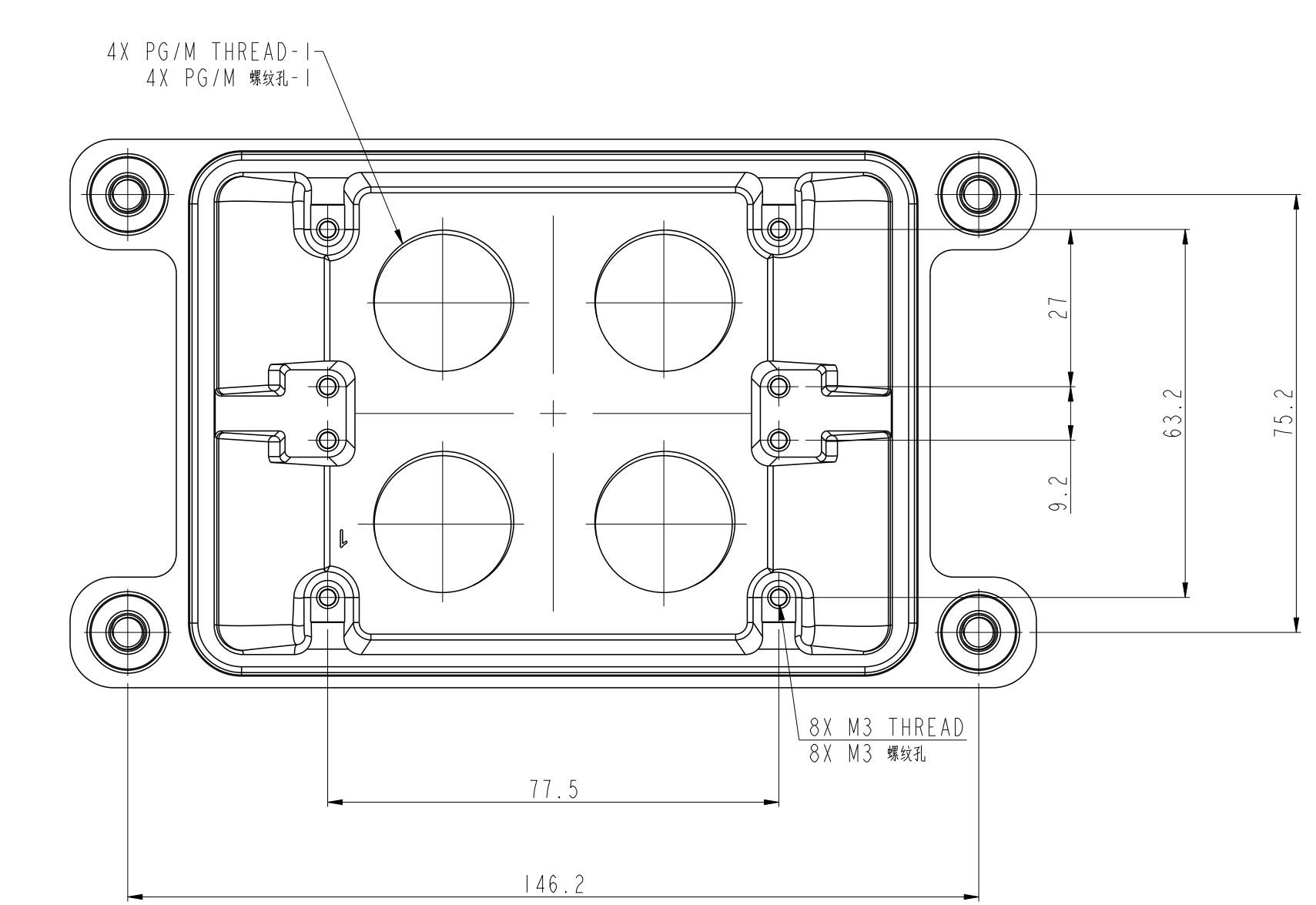
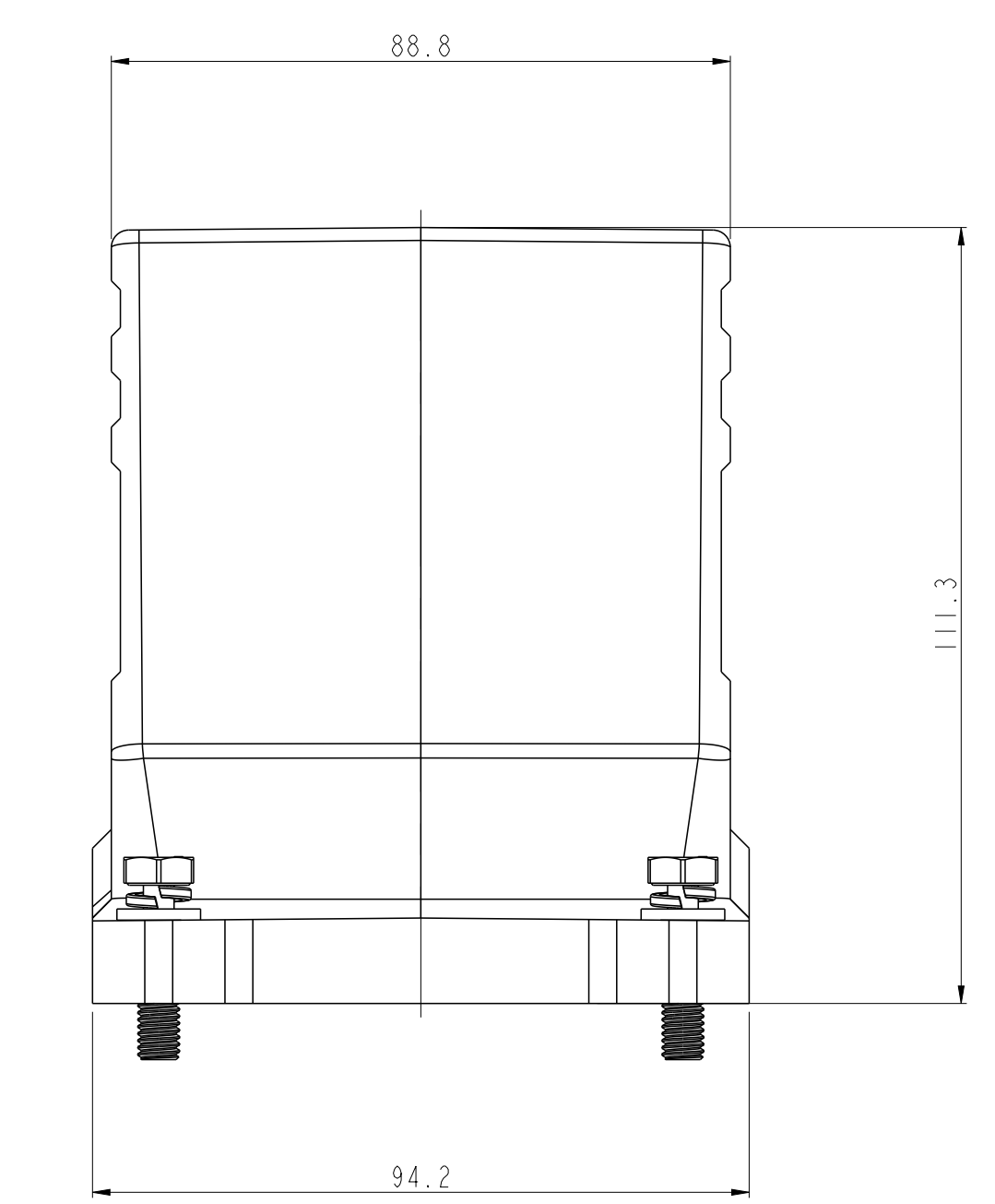
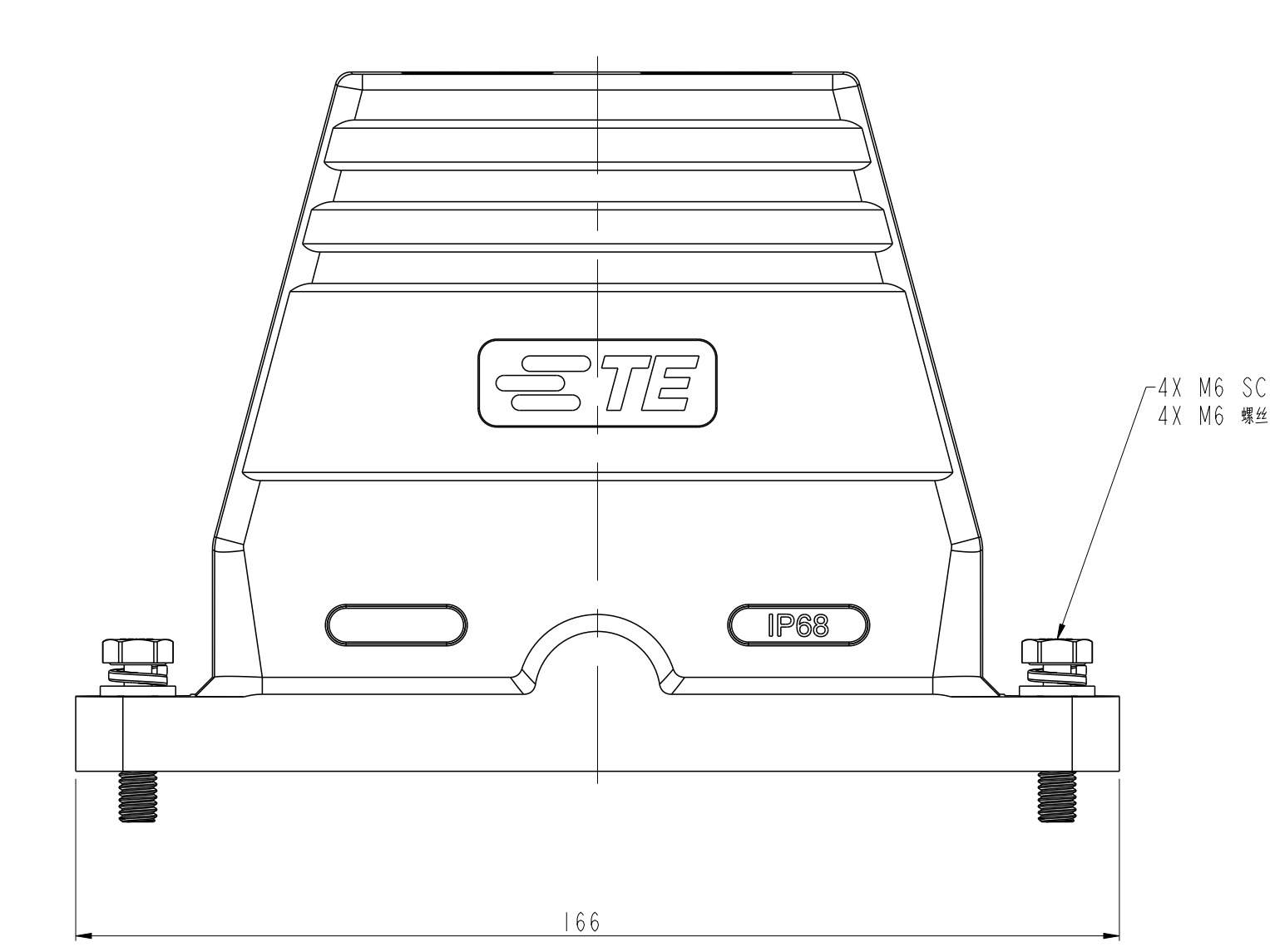


NOTES:
 1. TECHNICAL CHARACTERISTICS:
 HOOD MATERIAL: DIE CAST ALUMINIUM ALLOY
 SURFACE: POWDER COATED
 DEGREE OF PROTECTION: IP68 (MATED)
 DIM:
 1. 公差: 0.05
 2. 公差: 0.05
 3. 公差: 0.05

TYPE-3: STANDARD SIDE AND TOP ENTRY
 AM-3: 400016



TYPE-4: TOP ENTRY (FOUR HOLES)
 AM-4: 146



THIS DRAWING IS A CONTROLLED DOCUMENT.		DATE: 26JUL2016	BY: QIANG, YUAN	APPD: 26JUL2016	NAME: H32BPR-TGH-4S-PG/M
DIMENSIONS: DIMS: 0.05		DATE: 26JUL2016	BY: XUE, ZENG	APPD: 26JUL2016	NAME: H32BPR-TGH-4S-PG/M
TOLERANCES UNLESS OTHERWISE SPECIFIED:		DATE: 26JUL2016	BY: CHRIS, WANG	APPD: 26JUL2016	NAME: H32BPR-TGH-4S-PG/M
0.05	0.10	0.15	0.20	0.30	0.50
1.00	1.50	2.00	3.00	4.00	5.00
6.00	8.00	10.00	15.00	20.00	30.00
40.00	50.00	60.00	80.00	100.00	120.00
150.00	200.00	300.00	400.00	500.00	600.00
1.00	1.50	2.00	3.00	4.00	5.00
6.00	8.00	10.00	15.00	20.00	30.00
40.00	50.00	60.00	80.00	100.00	120.00
150.00	200.00	300.00	400.00	500.00	600.00
1.00	1.50	2.00	3.00	4.00	5.00
6.00	8.00	10.00	15.00	20.00	30.00
40.00	50.00	60.00	80.00	100.00	120.00
150.00	200.00	300.00	400.00	500.00	600.00
1.00	1.50	2.00	3.00	4.00	5.00
6.00	8.00	10.00	15.00	20.00	30.00
40.00	50.00	60.00	80.00	100.00	120.00
150.00	200.00	300.00	400.00	500.00	600.00
1.00	1.50	2.00	3.00	4.00	5.00
6.00	8.00	10.00	15.00	20.00	30.00
40.00	50.00	60.00	80.00	100.00	120.00
150.00	200.00	300.00	400.00	500.00	600.00
1.00	1.50	2.00	3.00	4.00	5.00
6.00	8.00	10.00	15.00	20.00	30.00
40.00	50.00	60.00	80.00	100.00	120.00
150.00	200.00	300.00	400.00	500.00	600.00
1.00	1.50	2.00	3.00	4.00	5.00
6.00	8.00	10.00	15.00	20.00	30.00
40.00	50.00	60.00	80.00	100.00	120.00
150.00	200.00	300.00	400.00	500.00	600.00
1.00	1.50	2.00	3.00	4.00	5.00
6.00	8.00	10.00	15.00	20.00	30.00
40.00	50.00	60.00	80.00	100.00	120.00
150.00	200.00	300.00	400.00	500.00	600.00
1.00	1.50	2.00	3.00	4.00	5.00
6.00	8.00	10.00	15.00	20.00	30.00
40.00	50.00	60.00	80.00	100.00	120.00
150.00	200.00	300.00	400.00	500.00	600.00
1.00	1.50	2.00	3.00	4.00	5.00
6.00	8.00	10.00	15.00	20.00	30.00
40.00	50.00	60.00	80.00	100.00	120.00
150.00	200.00	300.00	400.00	500.00	600.00
1.00	1.50	2.00	3.00	4.00	5.00
6.00	8.00	10.00	15.00	20.00	30.00
40.00	50.00	60.00	80.00	100.00	120.00
150.00	200.00	300.00	400.00	500.00	600.00
1.00	1.50	2.00	3.00	4.00	5.00
6.00	8.00	10.00	15.00	20.00	30.00
40.00	50.00	60.00	80.00	100.00	120.00
150.00	200.00	300.00	400.00	500.00	600.00
1.00	1.50	2.00	3.00	4.00	5.00
6.00	8.00	10.00	15.00	20.00	30.00
40.00	50.00	60.00	80.00	100.00	120.00
150.00	200.00	300.00	400.00	500.00	600.00
1.00	1.50	2.00	3.00	4.00	5.00
6.00	8.00	10.00	15.00	20.00	30.00
40.00	50.00	60.00	80.00	100.00	120.00
150.00	200.00	300.00	400.00	500.00	600.00
1.00	1.50	2.00	3.00	4.00	5.00
6.00	8.00	10.00	15.00	20.00	30.00
40.00	50.00	60.00	80.00	100.00	120.00
150.00	200.00	300.00	400.00	500.00	600.00
1.00	1.50	2.00	3.00	4.00	5.00
6.00	8.00	10.00	15.00	20.00	30.00
40.00	50.00	60.00	80.00	100.00	120.00
150.00	200.00	300.00	400.00	500.00	600.00
1.00	1.50	2.00	3.00	4.00	5.00
6.00	8.00	10.00	15.00	20.00	30.00
40.00	50.00	60.00	80.00	100.00	120.00
150.00	200.00	300.00	400.00	500.00	600.00
1.00	1.50	2.00	3.00	4.00	5.00
6.00	8.00	10.00	15.00	20.00	30.00
40.00	50.00	60.00	80.00	100.00	120.00
150.00	200.00	300.00	400.00	500.00	600.00
1.00	1.50	2.00	3.00	4.00	5.00
6.00	8.00	10.00	15.00	20.00	30.00
40.00	50.00	60.00	80.00	100.00	120.00
150.00	200.00	300.00	400.00	500.00	600.00
1.00	1.50	2.00	3.00	4.00	5.00
6.00	8.00	10.00	15.00	20.00	30.00
40.00	50.00	60.00	80.00	100.00	120.00
150.00	200.00	300.00	400.00	500.00	600.00
1.00	1.50	2.00	3.00	4.00	5.00
6.00	8.00	10.00	15.00	20.00	30.00
40.00	50.00	60.00	80.00	100.00	120.00
150.00	200.00	300.00	400.00	500.00	600.00
1.00	1.50	2.00	3.00	4.00	5.00
6.00	8.00	10.00	15.00	20.00	30.00
40.00	50.00	60.00	80.00	100.00	120.00
150.00	200.00	300.00	400.00	500.00	600.00
1.00	1.50	2.00	3.00	4.00	5.00
6.00	8.00	10.00	15.00	20.00	30.00
40.00	50.00	60.00	80.00	100.00	120.00
150.00	200.00	300.00	400.00	500.00	600.00
1.00	1.50	2.00	3.00	4.00	5.00
6.00	8.00	10.00	15.00	20.00	30.00
40.00	50.00	60.00	80.00	100.00	120.00
150.00	200.00	300.00	400.00	500.00	600.00
1.00	1.50	2.00	3.00	4.00	5.00
6.00	8.00	10.00	15.00	20.00	30.00
40.00	50.00	60.00	80.00	100.00	120.00
150.00	200.00	300.00	400.00	500.00	600.00
1.00	1.50	2.00	3.00	4.00	5.00
6.00	8.00	10.00	15.00	20.00	30.00
40.00	50.00	60.00	80.00	100.00	120.00
150.00	200.00	300.00	400.00	500.00	600.00
1.00	1.50	2.00	3.00	4.00	5.00
6.00	8.00	10.00	15.00	20.00	30.00
40.00	50.00	60.00	80.00	100.00	120.00
150.00	200.00	300.00	400.00	500.00	600.00
1.00	1.50	2.00	3.00	4.00	5.00
6.00	8.00	10.00	15.00	20.00	30.00
40.00	50.00	60.00	80.00	100.00	120.00
150.00	200.00	300.00	400.00	500.00	600.00
1.00	1.50	2.00	3.00	4.00	5.00
6.00	8.00	10.00	15.00	20.00	30.00
40.00	50.00	60.00	80.00	100.00	120.00
150.00	200.00	300.00	400.00	500.00	600.00
1.00	1.50	2.00	3.00	4.00	5.00
6.00	8.00	10.00	15.00	20.00	30.00
40.00	50.00	60.00	80.00	100.00	120.00
150.00	200.00	300.00	400.00	500.00	600.00
1.00	1.50	2.00	3.00	4.00	5.00
6.00	8.00	10.00	15.00	20.00	30.00
40.00	50.00	60.00	80.00	100.00	120.00
150.00	200.00	300.00	400.00	500.00	600.00
1.00	1.50	2.00	3.00	4.00	5.00
6.00	8.00	10.00	15.00	20.00	30.00
40.00	50.00	60.00	80.00	100.00	120.00
150.00	200.00	300.00	400.00	500.00	600.00
1.00	1.50	2.00	3.00	4.00	5.00
6.00	8.00	10.00	15.00	20.00	30.00
40.00	50.00	60.00	80.00	100.00	120.00
150.00	200.00	300.00	400.00	500.00	600.00
1.00	1.50	2.00	3.00	4.00	5.00
6.00	8.00	10.00	15.00	20.00	30.00
40.00	50.00	60.00	80.00	100.00	120.00
150.00	200.00	300.00	400.00	500.00	600.00
1.00	1.50	2.00	3.00	4.00	5.00
6.00	8.00	10.00	15.00	20.00	30.00
40.00	50.00	60.00	80.00	100.00	120.00
150.00	200.00	300.00	400.00	500.00	600.00
1.00	1.50	2.00	3.00	4.00	5.00
6.00	8.00	10.00	15.00	20.00	30.00
40					

REVISIONS			
#	DATE	DESCRIPTION	BY
-	-	SEE SHEET 1	-

NOTES:
 SEE SHEET 1
 ■:
 X SHEET 1

PN	REV	DESCRIPTION	DATE	BY	APPD		
T1926320425-000	H32BPR-TGH-4S-4M25	H32BPR HOOD, QUADRANGE LOCKING, TOP ENTRY 4M25, POWDER COATED, BLACK H32BPR上壳, 四角锁死, 顶盖4M25, 黑色粉末喷涂	4X M25X1.5	-	-		
T1906325050-002	H32BPR-TSH/TGH-4S-2M50	H32BPR HOOD, QUADRANGE LOCKING, SIDE ENTRY M50, TOP ENTRY M50, POWDER COATED, GREY H32BPR上壳, 四角锁死, 侧盖M50, 顶盖M50, 灰色粉末喷涂	-	-	M50X1.5		
T1906325050-000	H32BPR-TSH/TGH-4S-2M50	H32BPR HOOD, QUADRANGE LOCKING, SIDE ENTRY M50, TOP ENTRY M50, POWDER COATED, BLACK H32BPR上壳, 四角锁死, 侧盖M50, 顶盖M50, 黑色粉末喷涂	-	-	M50X1.5		
T1916322163-000	H32BPR-TSH-4S-M63	H32BPR HOOD, QUADRANGE LOCKING, SIDE ENTRY M63, POWDER COATED, GREY H32BPR上壳, 四角锁死, 侧盖M63, 灰色粉末喷涂	-	M63X1.5	-		
T1916322150-000	H32BPR-TSH-4S-M50	H32BPR HOOD, QUADRANGE LOCKING, SIDE ENTRY M50, POWDER COATED, GREY H32BPR上壳, 四角锁死, 侧盖M50, 灰色粉末喷涂	-	M50X1.5	-		
T1916322148-000	H32BPR-TSH-4S-PG48	H32BPR HOOD, QUADRANGE LOCKING, SIDE ENTRY PG48, POWDER COATED, GREY H32BPR上壳, 四角锁死, 侧盖PG48, 灰色粉末喷涂	-	PG48	-		
T1916322142-000	H32BPR-TSH-4S-PG42	H32BPR HOOD, QUADRANGE LOCKING, SIDE ENTRY PG42, POWDER COATED, GREY H32BPR上壳, 四角锁死, 侧盖PG42, 灰色粉末喷涂	-	PG42	-		
T1916320163-000	H32BPR-TSH-4S-M63	H32BPR HOOD, QUADRANGE LOCKING, SIDE ENTRY M63, POWDER COATED, BLACK H32BPR上壳, 四角锁死, 侧盖M63, 黑色粉末喷涂	-	M63X1.5	-		
T1916320150-000	H32BPR-TSH-4S-M50	H32BPR HOOD, QUADRANGE LOCKING, SIDE ENTRY M50, POWDER COATED, BLACK H32BPR上壳, 四角锁死, 侧盖M50, 黑色粉末喷涂	-	M50X1.5	-		
T1916320148-000	H32BPR-TSH-4S-PG48	H32BPR HOOD, QUADRANGE LOCKING, SIDE ENTRY PG48, POWDER COATED, BLACK H32BPR上壳, 四角锁死, 侧盖PG48, 黑色粉末喷涂	-	PG48	-		
T1916320142-000	H32BPR-TSH-4S-PG42	H32BPR HOOD, QUADRANGE LOCKING, SIDE ENTRY PG42, POWDER COATED, BLACK H32BPR上壳, 四角锁死, 侧盖PG42, 黑色粉末喷涂	-	PG42	-		
T1926322163-000	H32BPR-TGH-4S-M63	H32BPR HOOD, QUADRANGE LOCKING, TOP ENTRY M63, POWDER COATED, GREY H32BPR上壳, 四角锁死, 顶盖M63, 灰色粉末喷涂	M63X1.5	-	-		
T1926322150-000	H32BPR-TGH-4S-M50	H32BPR HOOD, QUADRANGE LOCKING, TOP ENTRY M50, POWDER COATED, GREY H32BPR上壳, 四角锁死, 顶盖M50, 灰色粉末喷涂	M50X1.5	-	-		
T1926322148-000	H32BPR-TGH-4S-PG48	H32BPR HOOD, QUADRANGE LOCKING, TOP ENTRY PG48, POWDER COATED, GREY H32BPR上壳, 四角锁死, 顶盖PG48, 灰色粉末喷涂	PG48	-	-		
T1926322142-000	H32BPR-TGH-4S-PG42	H32BPR HOOD, QUADRANGE LOCKING, TOP ENTRY PG42, POWDER COATED, GREY H32BPR上壳, 四角锁死, 顶盖PG42, 灰色粉末喷涂	PG42	-	-		
T1926320163-000	H32BPR-TGH-4S-M63	H32BPR HOOD, QUADRANGE LOCKING, TOP ENTRY M63, POWDER COATED, BLACK H32BPR上壳, 四角锁死, 顶盖M63, 黑色粉末喷涂	M63X1.5	-	-		
T1926320150-000	H32BPR-TGH-4S-M50	H32BPR HOOD, QUADRANGE LOCKING, TOP ENTRY M50, POWDER COATED, BLACK H32BPR上壳, 四角锁死, 顶盖M50, 黑色粉末喷涂	M50X1.5	-	-		
T1926320148-000	H32BPR-TGH-4S-PG48	H32BPR HOOD, QUADRANGE LOCKING, TOP ENTRY PG48, POWDER COATED, BLACK H32BPR上壳, 四角锁死, 顶盖PG48, 黑色粉末喷涂	PG48	-	-		
T1926320142-000	H32BPR-TGH-4S-PG42	H32BPR HOOD, QUADRANGE LOCKING, TOP ENTRY PG42, POWDER COATED, BLACK H32BPR上壳, 四角锁死, 顶盖PG42, 黑色粉末喷涂	PG42	-	-		
PART NUMBER	PART DESCRIPTION		PG/M THREAD-1 PG/M 螺孔-1	PG/M THREAD-2 PG/M 螺孔-2	PG/M THREAD-3 PG/M 螺孔-3	PG/M THREAD-4 PG/M 螺孔-4	TYPE 类型

THIS DRAWING IS A CONTROLLED DOCUMENT. DATE: 28JUL2016
 DIMENSIONS: (mm) DIMENSIONS: (INCHES) DATE: 28JUL2016
 0 PLC #1
 1 PLC #2
 2 PLC #3
 3 PLC #4
 4 PLC #5
 5 PLC #6
 6 PLC #7
 7 PLC #8
 8 PLC #9
 9 PLC #10
 10 PLC #11
 11 PLC #12
 12 PLC #13
 13 PLC #14
 14 PLC #15
 15 PLC #16
 16 PLC #17
 17 PLC #18
 18 PLC #19
 19 PLC #20
 20 PLC #21
 21 PLC #22
 22 PLC #23
 23 PLC #24
 24 PLC #25
 25 PLC #26
 26 PLC #27
 27 PLC #28
 28 PLC #29
 29 PLC #30
 30 PLC #31
 31 PLC #32
 32 PLC #33
 33 PLC #34
 34 PLC #35
 35 PLC #36
 36 PLC #37
 37 PLC #38
 38 PLC #39
 39 PLC #40
 40 PLC #41
 41 PLC #42
 42 PLC #43
 43 PLC #44
 44 PLC #45
 45 PLC #46
 46 PLC #47
 47 PLC #48
 48 PLC #49
 49 PLC #50
 50 PLC #51
 51 PLC #52
 52 PLC #53
 53 PLC #54
 54 PLC #55
 55 PLC #56
 56 PLC #57
 57 PLC #58
 58 PLC #59
 59 PLC #60
 60 PLC #61
 61 PLC #62
 62 PLC #63
 63 PLC #64
 64 PLC #65
 65 PLC #66
 66 PLC #67
 67 PLC #68
 68 PLC #69
 69 PLC #70
 70 PLC #71
 71 PLC #72
 72 PLC #73
 73 PLC #74
 74 PLC #75
 75 PLC #76
 76 PLC #77
 77 PLC #78
 78 PLC #79
 79 PLC #80
 80 PLC #81
 81 PLC #82
 82 PLC #83
 83 PLC #84
 84 PLC #85
 85 PLC #86
 86 PLC #87
 87 PLC #88
 88 PLC #89
 89 PLC #90
 90 PLC #91
 91 PLC #92
 92 PLC #93
 93 PLC #94
 94 PLC #95
 95 PLC #96
 96 PLC #97
 97 PLC #98
 98 PLC #99
 99 PLC #100
 100 PLC #101
 101 PLC #102
 102 PLC #103
 103 PLC #104
 104 PLC #105
 105 PLC #106
 106 PLC #107
 107 PLC #108
 108 PLC #109
 109 PLC #110
 110 PLC #111
 111 PLC #112
 112 PLC #113
 113 PLC #114
 114 PLC #115
 115 PLC #116
 116 PLC #117
 117 PLC #118
 118 PLC #119
 119 PLC #120
 120 PLC #121
 121 PLC #122
 122 PLC #123
 123 PLC #124
 124 PLC #125
 125 PLC #126
 126 PLC #127
 127 PLC #128
 128 PLC #129
 129 PLC #130
 130 PLC #131
 131 PLC #132
 132 PLC #133
 133 PLC #134
 134 PLC #135
 135 PLC #136
 136 PLC #137
 137 PLC #138
 138 PLC #139
 139 PLC #140
 140 PLC #141
 141 PLC #142
 142 PLC #143
 143 PLC #144
 144 PLC #145
 145 PLC #146
 146 PLC #147
 147 PLC #148
 148 PLC #149
 149 PLC #150
 150 PLC #151
 151 PLC #152
 152 PLC #153
 153 PLC #154
 154 PLC #155
 155 PLC #156
 156 PLC #157
 157 PLC #158
 158 PLC #159
 159 PLC #160
 160 PLC #161
 161 PLC #162
 162 PLC #163
 163 PLC #164
 164 PLC #165
 165 PLC #166
 166 PLC #167
 167 PLC #168
 168 PLC #169
 169 PLC #170
 170 PLC #171
 171 PLC #172
 172 PLC #173
 173 PLC #174
 174 PLC #175
 175 PLC #176
 176 PLC #177
 177 PLC #178
 178 PLC #179
 179 PLC #180
 180 PLC #181
 181 PLC #182
 182 PLC #183
 183 PLC #184
 184 PLC #185
 185 PLC #186
 186 PLC #187
 187 PLC #188
 188 PLC #189
 189 PLC #190
 190 PLC #191
 191 PLC #192
 192 PLC #193
 193 PLC #194
 194 PLC #195
 195 PLC #196
 196 PLC #197
 197 PLC #198
 198 PLC #199
 199 PLC #200
 200 PLC #201
 201 PLC #202
 202 PLC #203
 203 PLC #204
 204 PLC #205
 205 PLC #206
 206 PLC #207
 207 PLC #208
 208 PLC #209
 209 PLC #210
 210 PLC #211
 211 PLC #212
 212 PLC #213
 213 PLC #214
 214 PLC #215
 215 PLC #216
 216 PLC #217
 217 PLC #218
 218 PLC #219
 219 PLC #220
 220 PLC #221
 221 PLC #222
 222 PLC #223
 223 PLC #224
 224 PLC #225
 225 PLC #226
 226 PLC #227
 227 PLC #228
 228 PLC #229
 229 PLC #230
 230 PLC #231
 231 PLC #232
 232 PLC #233
 233 PLC #234
 234 PLC #235
 235 PLC #236
 236 PLC #237
 237 PLC #238
 238 PLC #239
 239 PLC #240
 240 PLC #241
 241 PLC #242
 242 PLC #243
 243 PLC #244
 244 PLC #245
 245 PLC #246
 246 PLC #247
 247 PLC #248
 248 PLC #249
 249 PLC #250
 250 PLC #251
 251 PLC #252
 252 PLC #253
 253 PLC #254
 254 PLC #255
 255 PLC #256
 256 PLC #257
 257 PLC #258
 258 PLC #259
 259 PLC #260
 260 PLC #261
 261 PLC #262
 262 PLC #263
 263 PLC #264
 264 PLC #265
 265 PLC #266
 266 PLC #267
 267 PLC #268
 268 PLC #269
 269 PLC #270
 270 PLC #271
 271 PLC #272
 272 PLC #273
 273 PLC #274
 274 PLC #275
 275 PLC #276
 276 PLC #277
 277 PLC #278
 278 PLC #279
 279 PLC #280
 280 PLC #281
 281 PLC #282
 282 PLC #283
 283 PLC #284
 284 PLC #285
 285 PLC #286
 286 PLC #287
 287 PLC #288
 288 PLC #289
 289 PLC #290
 290 PLC #291
 291 PLC #292
 292 PLC #293
 293 PLC #294
 294 PLC #295
 295 PLC #296
 296 PLC #297
 297 PLC #298
 298 PLC #299
 299 PLC #300
 300 PLC #301
 301 PLC #302
 302 PLC #303
 303 PLC #304
 304 PLC #305
 305 PLC #306
 306 PLC #307
 307 PLC #308
 308 PLC #309
 309 PLC #310
 310 PLC #311
 311 PLC #312
 312 PLC #313
 313 PLC #314
 314 PLC #315
 315 PLC #316
 316 PLC #317
 317 PLC #318
 318 PLC #319
 319 PLC #320
 320 PLC #321
 321 PLC #322
 322 PLC #323
 323 PLC #324
 324 PLC #325
 325 PLC #326
 326 PLC #327
 327 PLC #328
 328 PLC #329
 329 PLC #330
 330 PLC #331
 331 PLC #332
 332 PLC #333
 333 PLC #334
 334 PLC #335
 335 PLC #336
 336 PLC #337
 337 PLC #338
 338 PLC #339
 339 PLC #340
 340 PLC #341
 341 PLC #342
 342 PLC #343
 343 PLC #344
 344 PLC #345
 345 PLC #346
 346 PLC #347
 347 PLC #348
 348 PLC #349
 349 PLC #350
 350 PLC #351
 351 PLC #352
 352 PLC #353
 353 PLC #354
 354 PLC #355
 355 PLC #356
 356 PLC #357
 357 PLC #358
 358 PLC #359
 359 PLC #360
 360 PLC #361
 361 PLC #362
 362 PLC #363
 363 PLC #364
 364 PLC #365
 365 PLC #366
 366 PLC #367
 367 PLC #368
 368 PLC #369
 369 PLC #370
 370 PLC #371
 371 PLC #372
 372 PLC #373
 373 PLC #374
 374 PLC #375
 375 PLC #376
 376 PLC #377
 377 PLC #378
 378 PLC #379
 379 PLC #380
 380 PLC #381
 381 PLC #382
 382 PLC #383
 383 PLC #384
 384 PLC #385
 385 PLC #386
 386 PLC #387
 387 PLC #388
 388 PLC #389
 389 PLC #390
 390 PLC #391
 391 PLC #392
 392 PLC #393
 393 PLC #394
 394 PLC #395
 395 PLC #396
 396 PLC #397
 397 PLC #398
 398 PLC #399
 399 PLC #400
 400 PLC #401
 401 PLC #402
 402 PLC #403
 403 PLC #404
 404 PLC #405
 405 PLC #406
 406 PLC #407
 407 PLC #408
 408 PLC #409
 409 PLC #410
 410 PLC #411
 411 PLC #412
 412 PLC #413
 413 PLC #414
 414 PLC #415
 415 PLC #416
 416 PLC #417
 417 PLC #418
 418 PLC #419
 419 PLC #420
 420 PLC #421
 421 PLC #422
 422 PLC #423
 423 PLC #424
 424 PLC #425
 425 PLC #426
 426 PLC #427
 427 PLC #428
 428 PLC #429
 429 PLC #430
 430 PLC #431
 431 PLC #432
 432 PLC #433
 433 PLC #434
 434 PLC #435
 435 PLC #436
 436 PLC #437
 437 PLC #438
 438 PLC #439
 439 PLC #440
 440 PLC #441
 441 PLC #442
 442 PLC #443
 443 PLC #444
 444 PLC #445
 445 PLC #446
 446 PLC #447
 447 PLC #448
 448 PLC #449
 449 PLC #450
 450 PLC #451
 451 PLC #452
 452 PLC #453
 453 PLC #454
 454 PLC #455
 455 PLC #456
 456 PLC #457
 457 PLC #458
 458 PLC #459
 459 PLC #460
 460 PLC #461
 461 PLC #462
 462 PLC #463
 463 PLC #464
 464 PLC #465
 465 PLC #466
 466 PLC #467
 467 PLC #468
 468 PLC #469
 469 PLC #470
 470 PLC #471
 471 PLC #472
 472 PLC #473
 473 PLC #474
 474 PLC #475
 475 PLC #476
 476 PLC #477
 477 PLC #478
 478 PLC #479
 479 PLC #480
 480 PLC #481
 481 PLC #482
 482 PLC #483
 483 PLC #484
 484 PLC #485
 485 PLC #486
 486 PLC #487
 487 PLC #488
 488 PLC #489
 489 PLC #490
 490 PLC #491
 491 PLC #492
 492 PLC #493
 493 PLC #494
 494 PLC #495
 495 PLC #496
 496 PLC #497
 497 PLC #498
 498 PLC #499
 499 PLC #500
 500 PLC #501
 501 PLC #502
 502 PLC #503
 503 PLC #504
 504 PLC #505
 505 PLC #506
 506 PLC #507
 507 PLC #508
 508 PLC #509
 509 PLC #510
 510 PLC #511
 511 PLC #512
 512 PLC #513
 513 PLC #514
 514 PLC #515
 515 PLC #516
 516 PLC #517
 517 PLC #518
 518 PLC #519
 519 PLC #520
 520 PLC #521
 521 PLC #522
 522 PLC #523
 523 PLC #524
 524 PLC #525
 525 PLC #526
 526 PLC #527
 527 PLC #528
 528 PLC #529
 529 PLC #530
 530 PLC #531
 531 PLC #532
 532 PLC #533
 533 PLC #534
 534 PLC #535
 535 PLC #536
 536 PLC #537
 537 PLC #538
 538 PLC #539
 539 PLC #540
 540 PLC #541
 541 PLC #542
 542 PLC #543
 543 PLC #544
 544 PLC #545
 545 PLC #546
 546 PLC #547
 547 PLC #548
 548 PLC #549
 549 PLC #550
 550 PLC #551
 551 PLC #552
 552 PLC #553
 553 PLC #554
 554 PLC #555
 555 PLC #556
 556 PLC #557
 557 PLC #558
 558 PLC #559
 559 PLC #560
 560 PLC #561
 561 PLC #562
 562 PLC #563
 563 PLC #564
 564 PLC #565
 565 PLC #566
 566 PLC #567
 567 PLC #568
 568 PLC #569
 569 PLC #570
 570 PLC #571
 571 PLC #572
 572 PLC #573
 573 PLC #574
 574 PLC #575
 575 PLC #576
 576 PLC #577
 577 PLC #578
 578 PLC #579
 579 PLC #580
 580 PLC #581
 581 PLC #582
 582 PLC #583
 583 PLC #584
 584 PLC #585
 585 PLC #586
 586 PLC #587
 587 PLC #588
 588 PLC #589
 589 PLC #590
 590 PLC #591
 591 PLC #592
 592 PLC #593
 593 PLC #594
 594 PLC #595
 595 PLC #596
 596 PLC #597
 597 PLC #598
 598 PLC #599
 599 PLC #600
 600 PLC #601
 601 PLC #602
 602 PLC #603
 603 PLC #604
 604 PLC #605
 605 PLC #606
 606 PLC #607
 607 PLC #608
 608 PLC #609
 609 PLC #610
 610 PLC #611
 611 PLC #612
 612 PLC #613
 613 PLC #614
 614 PLC #615
 615 PLC #616
 616 PLC #617
 617 PLC #618
 618 PLC #619
 619 PLC #620
 620 PLC #621
 621 PLC #622
 622 PLC #623
 623 PLC #624
 624 PLC #625
 625 PLC #626
 626 PLC #627
 627 PLC #628
 628 PLC #629
 629 PLC #630
 630 PLC #631
 631 PLC #632
 632 PLC #633
 633 PLC #634
 634 PLC #635
 635 PLC #636
 636 PLC #637
 637 PLC #638
 638 PLC #639
 639 PLC #640
 640 PLC #641
 641 PLC #642
 642 PLC #643
 643 PLC #644
 644 PLC #645
 645 PLC #646
 646 PLC #647
 647 PLC #648
 648 PLC #649
 649 PLC #650
 650 PLC #651
 651 PLC #652
 652 PLC #653
 653 PLC #654
 654 PLC #655
 655 PLC #656
 656 PLC #657
 657 PLC #658
 658 PLC #659
 659 PLC #660
 660 PLC #661
 661 PLC #662
 662 PLC #663
 663 PLC #664
 664 PLC #665
 665 PLC #666
 666 PLC #667
 667 PLC #668
 668 PLC #669
 669 PLC #670
 670 PLC #671
 671 PLC #672
 672 PLC #673
 673 PLC #674
 674 PLC #675
 675 PLC #676
 676 PLC #677
 677 PLC #678
 678 PLC #679
 679 PLC #680
 680 PLC #681
 681 PLC #682
 682 PLC #683
 683 PLC #684
 684 PLC #685
 685 PLC #686
 686 PLC #687
 687 PLC #688
 688 PLC #689
 689 PLC #690
 690 PLC #691
 691 PLC #692
 692 PLC #693
 693 PLC #694
 694 PLC #695
 695 PLC #696
 696 PLC #697
 697 PLC #698
 698 PLC #699
 699 PLC #700
 700 PLC #701
 701 PLC #702
 702 PLC #703
 703 PLC #704
 704 PLC #705
 705 PLC #706
 706 PLC #707
 707 PLC #708
 708 PLC #709
 709 PLC #710
 710 PLC #711
 711 PLC #712
 712 PLC #713
 713 PLC #714
 714 PLC #715
 715 PLC #716
 716 PLC #717
 717 PLC #718
 718 PLC #719
 719 PLC #720
 720 PLC #721
 721 PLC #722
 722 PLC #723
 723 PLC #724
 724 PLC #725
 725 PLC #726
 726 PLC #727
 727 PLC #728
 728 PLC #729
 729 PLC #730
 730 PLC #731

Mouser Electronics

Authorized Distributor

Click to View Pricing, Inventory, Delivery & Lifecycle Information:

[TE Connectivity:](#)

[T1916320142-000](#) [T1916320148-000](#) [T1916320150-000](#) [T1916320163-000](#)